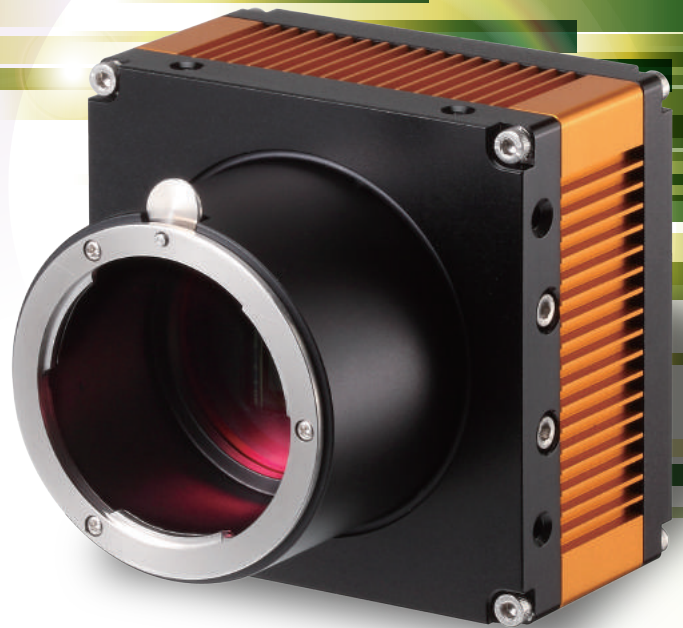


High-Speed, High-Resolution Industrial Camera Technology

IC-X25N-CL

25MP @ 30 FPS



- 25 Mega Pixels @ 30 fps
- Resolution 5056 x 5056
- Global Shutter 1usec~10sec
- Color & Monochrome
- True 8/10 Bit Data Output
- 8/10 Tap Configuration
- High Temperature Protection
- F / M42 / M58 / M72 / LM-Mount

Specifications

Sensor	25 Mega Pixel Color & Monochrome CMOS Sensor (Global Shutter)
Resolution	5056 x 5056
Pixel Size	4.5μm x 4.5μm
Frame Rate	30 fps at 10 Tap Full Mode 80MHz (24 fps at 8 Tap)
Video Output	8/10 bit Bayer Color & Monochrome
Camera Link Configuration	8/10 Tap Camera Link 2ch Full Mode
Sensor Size	Diameter 32mm, 22.8mm(H) x 22.8mm(V)
Sensitivity	1.0 Lux (On Sensor, Max, Gain, Shutter Off, 50% Video)
S/N Ratio	> 42 dB
Dynamic Range	53 dB
Gamma/Knee	Fixed 0.45 or 256 Point LUT
Shutter Speed	1μs - 10sec
Lens Mount	F-Mount, M42, M58, M72, LM(Leica M), Custom OEM
Operating Temperature	Operating 0℃ ~ 40℃, Storage 0℃ ~ 70℃
Humidity	20% ~ 90% RH
External Power Supply Voltage	12 VDC ± 10%, 12W
Dimensions	82mm (L) x 82mm (W) x 83.7mm (H)
Weight	520g (include F-Mount)
Shock & Vibration	Shock 25G (Half Sine 6~10ms XYZ Axis) / Vibration 10G (5~150Hz 1minute XYZ Axis)
White Balance	Color Model Only, Auto & Manual Preset (3200K, 4600K, 5600K)

* All specifications subject to change without notice.

Connector

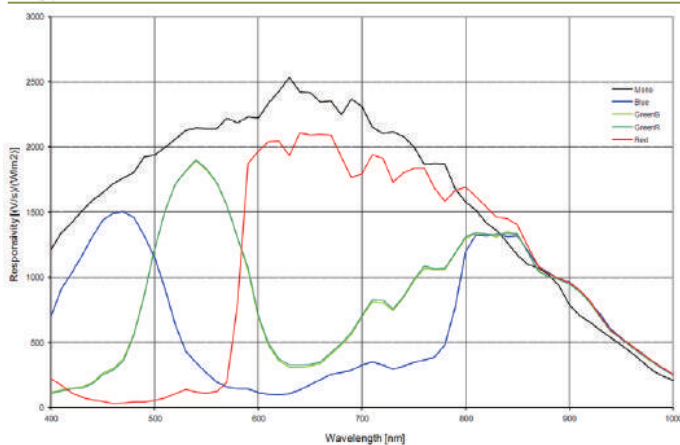
Power			
Pin No.	I/O	Signal Name	
1	DC	+12V	
2	DC	+12V	
3	DC	+12V	
4	GND	GROUND	
5	GND	GROUND	
6	GND	GROUND	

Mating Connector : Female (part#HR10A-7P-6S)

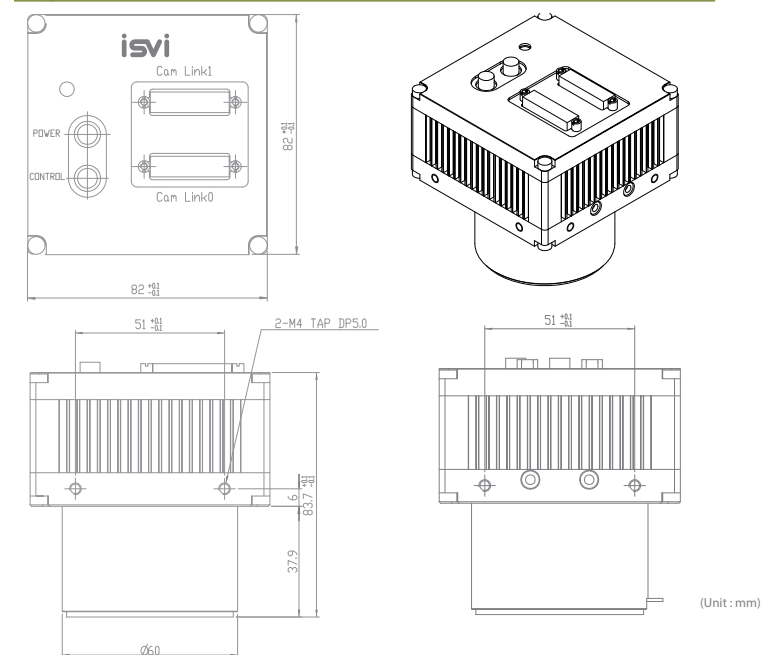
Control			
Pin No.	I/O	Signal Name	
1	INPUT	TRIGGER +	
2	INPUT	TRIGGER -	
3	GND	GROUND	
4	OUTPUT	STROBE OUTPUT	

Mating Connector : Male (part#HR10A-7P-4P)

Spectral Response



Dimensions (F-Mount)



(Unit : mm)

ISVI KOREA (Headquarters)
 #103-808 SK Ventium Bldg., 166 Gosan-ro,
 Gunpo-si, Gyeonggi-do, 15850, S.Korea
 T +82-31-427-3243 E sales@isvi-corp.com

www.isvi-corp.com

