

Amazon2

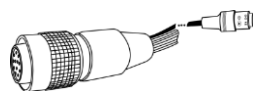
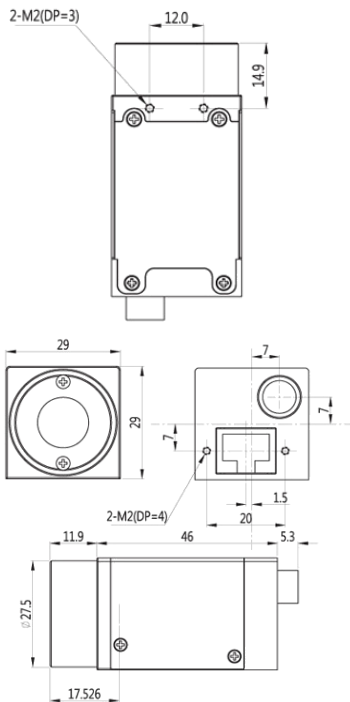
700 Series

Compact Size High Performance GigE Camera

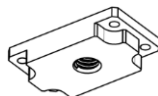
The Amazon2 700 Series is a new group of industrial digital cameras that are compliant with both the Gigabit Ethernet and with the GigE Vision standards. They provide high quality performance with various resolutions and frame rates; all at very competitive pricing. A list of outstanding features provide excellent flexibility for the user! The small housing (29mm(W) x 29mm(H) x 51mm(D) and 58 g) will fit most industrial camera applications. Select one of our new GigE Vision Amazon2 700 Series cameras and make your industrial vision project more successful and efficient.

Key Features

- Compact Sized Form Factor
- CCD(Global Shutter) / CMOS Image Sensor
- Color/Mono type, VGA to 10 MP High Resolution
- Max. 100fps (656x488 pixel), External Trigger/Strobe
- User Define Look Up Table, User Default Memory Save
- Binning/ROI/Brightness/Sharpness/Gamma/Gain/WB/Hue
- C/CS Mount selectable, Back focal length adjustable
- Operating Temp. -5°C ~ 45°C(Storage -30°C ~ 60°C)
- 29(W) x 29(H) x 51.1(D)mm (without lens adapter)
- Cable lock with screws, POE Support



Trigger/Power Cable



Tripod Plate

Applications

- Machine Vision (Semiconductor, Automotive)
- Medical (Microscopy, Dental Medicine)
- Sport Science (Motion Analysis, Physical)



Specifications

Model	IMx-716G	IMC-715G2	IMx-715G	IMx-712G	IMx-711G	IMx-710G
Image Sensor	1/3" Sony CCD	1/3" Sony CCD	1/3" Sony CCD	1/2" Sony CCD	1/3" Sony CCD	1/4" Sony CCD
Sensor Name	ICX445 AL/AQ	ICX692 AQ	ICX204 AL/AK	ICX414 AL/AQ	ICX424 AL/AQ	ICX618 AL/AQ
Resolution	Megapixel	1.3MP	0.9MP	0.78MP	0.3MP	0.3MP
	HxV	1288 x 964	1280 x 720	1032 x 776	656 x 484	656 x 488
Pixel Size	3.75µm x 3.75µm	4.08µm x 4.08µm	4.65µm x 4.65µm	9.90µm x 9.90µm	7.40µm x 7.40µm	5.60µm x 5.60µm
Frame Rate	30 fps	30 fps	36 fps	90 fps	90 fps	100 fps

Model	IMC-770GC	IMx-750GC	IMx-751G	IMx-728G	IMx-720G	IMx-717	
Image Sensor	1/2.3" Aptina CMOS	1/2.5" Aptina CMOS	2/3" Sharp CCD	1/1.8" Sony CCD	1/1.8" Sony CCD	1/2" Sony CCD	
Sensor Name	MT9J003	MT9P031	RJ32S4AD0DT	ICX687 AL/AQ	ICX274 AL/AQ	ICX267 AL/AK	
Resolution	Megapixel	10MP	5.0MP	5.0MP	2.8MP	2.0MP	1.4MP
	HxV	3660 x 2744	2588 x 1940	2448 x 2048	1936 x 1456	1624 x 1232	1388 x 1040
Pixel Size	1.67µm x 1.67µm	2.20µm x 2.20µm	3.45µm x 3.45µm	3.69µm x 3.69µm	4.40µm x 4.40µm	4.65µm x 4.65µm	
Frame Rate	7.3 fps	14 fps	15 fps	20 fps	25 or 16 fps	30 fps	

Common Specifications

Digital Interface	Gigabit Ethernet
Transfer Rate	1000 Mbps
Scanning System	Progressive Scan
Shutter Type	Global Shutter (IMC-770GC / IMC-750GC: Rolling Shutter)
Data Path	8 or 12 bit B/W (YUV 4:2:2 / YUV 4:1:1)
Binning	2x2 (Mono only) * Color/Mono is available for IMx-720G
ROI	Partial Scan (Unit:4x4)
Trigger	External or Software Trigger with various mode (IMC-770GC / IMC-750GC only S/W trigger)
I/O Port	Ext. Trigger, RS232, Strobe (6-pin)
Memory Save/Load	9 Channels (0:factory, 1~4:feature, 5~8:mode/feature)
SIO(RS-232)	Pass through or IMI-Tech Command
Gain Control	0 ~ 18 dB (Manual or Auto)
Shutter Speed	1 µsec ~ 3600 sec
Control Functions	Brightness, Sharpness, Gamma, Auto-gain, Auto-Exposure, Auto-Shutter, (Saturation, Auto White Balance, Hue)
Lens Mount	C/CS Mount
Operating Temp.	-5°C ~ 45°C
Storage Temp.	-30°C ~ 60°C
Supply Voltage	DC 8V ~ DC 30V / PoE
Power Consumption	Max. 2.7W@12VDC, Max. 2.5W@PoE 802.3af (IMx-720G / IMx-717G: Max. 3.0W@12VDC, Max. 3.2W@PoE 802.3af)
Dimension	29(W)x29(H)x51.1(D)mm(without Lens Adapter)
Weight	< 58g

* All specifications are subject to change without notice.

