

543nm Green High Power Laser



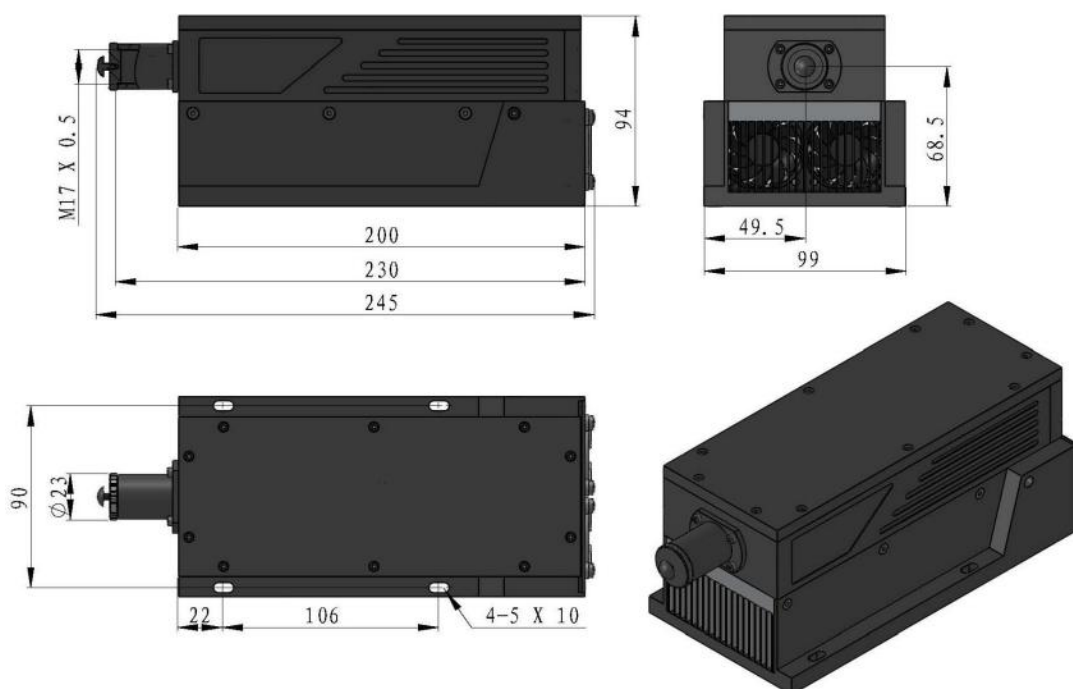
Specifications

| | |
|---|-------------------------------|
| Model Number | HP-543G-150-DB |
| Optical Specifications | |
| Wavelength | 543 nm |
| Center Wavelength Deviation | +/- 1 nm |
| Output Power | 150 mW |
| M ² | <3.0 |
| Longitudinal Mode | Multi |
| Transverse Mode | TEM00 |
| Power Stability (over 4 hours) (rms) | < 3 % (optional: <5%) |
| Operating Mode | CW |
| Polarization Ratio | > 100:1 |
| Beam Diameter at the Aperture (1/e ²) | ~3.0 mm |
| Beam Divergence (Full Angle) | <1.5mrad |
| Warm-up time | < 10 minutes |
| Beam Height from Base Plate | 68.5mm |
| Working Temperature | 10 to 35 ° C |
| Cooling Mode | TEC / FANS |
| Lifetime (MTTF) | 10000 hours |
| Warranty Time | 1year |
| Mechanical Specifications | |
| Dimension of Laser Head | 245 (L) x 99 (W) x 94 (H) mm |
| Dimension of Power Supply | 277 (L) x 145 (W) x106 (H) mm |
| Dimensional Tolerances | +/- 10 mm |

543nm Green High Power Laser



Drawing



Dimensions in mm