

# 2096nm Infrared High Power Laser



## Specifications

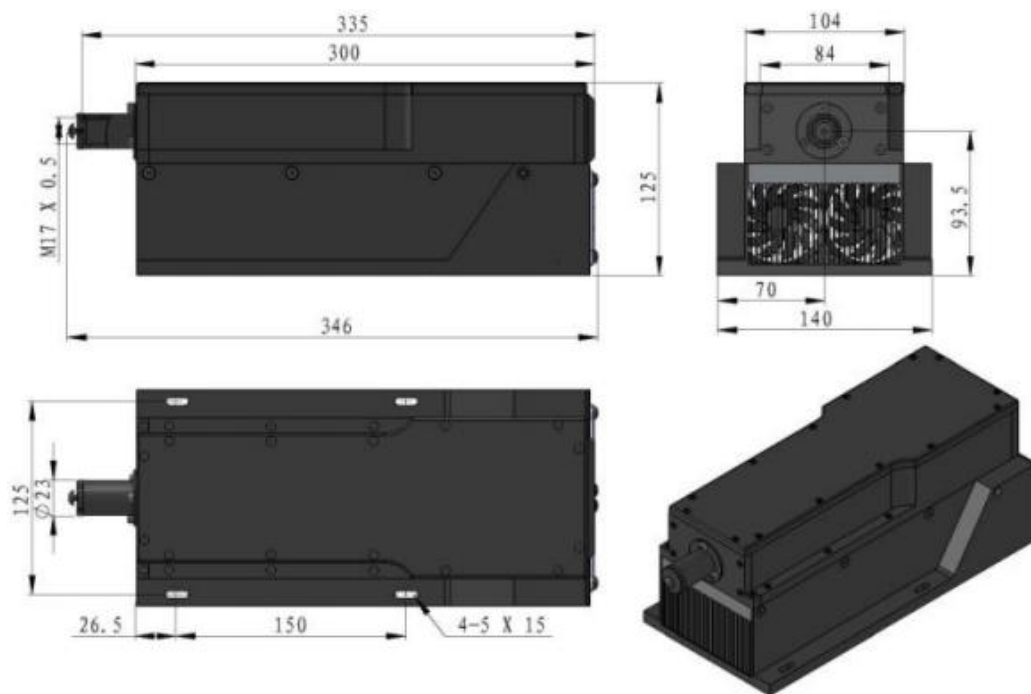
Model Number	HP- IR2096-3000-DB
<b>Optical Specifications</b>	
Wavelength	2096 nm
Center Wavelength Deviation	+/- 2 nm
Output Power	1-3 W
M <sup>2</sup>	< 3
Longitudinal Mode	Multi
Transverse Mode	Multi
Power Stability (over 4 hours) (rms)	< 5% <sup>(1)</sup>
Operating Mode	CW
Polarization Ratio	~ 500:1
Beam Diameter at the Aperture (1/e <sup>2</sup> )	< 2 mm
Beam Divergence (Full Angle)	<4 mrad
Warm-up time	< 12 minutes
Beam Height from Base Plate	93.5 mm
Working Temperature	10 to 35 ° C
Cooling Mode	TEC / FANS
Lifetime	10,000 hours
Warranty Time	1 year
<b>Mechanical Specifications</b>	
Dimension of Laser Head	346 (L) x 140 (W) x125 (H) mm
Dimensional Tolerances	+/- 1 mm

(1) optional: < 3%

# 2096nm Infrared High Power Laser



## Drawing



Dimensions in mm