
VC-12MC-M/C 65

VC-25MC-M/C 30

UP TO 25 MEGAPIXELS RESOLUTIONS, GLOBAL ELECTRONIC SHUTTER,
HIGH-SPEED CMOS DIGITAL CAMERA



The VC-12MC and VC-25MC, the latest members of the CMOS-based VC series, are our new high resolution CMOS cameras with Camera Link interface. The VC-12MC uses the latest 12 megapixel CMOS sensor (CMV12000) technology from CMOSIS, and performs as fast as 64 fps with high quality image. The VC-25MC is based on ON Semiconductor VITA-25K CMOS sensor delivering high quality 25 megapixel images at 30 fps. With their high resolution and fast speed, these cameras are ideal for applications such as PCB inspection, AOI machines, 3D inspection and many others.

VC-12MC / VC-25MC

UP TO 25 MEGAPIXELS RESOLUTIONS, GLOBAL ELECTRONIC SHUTTER, HIGH-SPEED CMOS DIGITAL CAMERA

Main Features

- * Resolutions from 12MP up to 25MP
- * High-Speed Progressive Scan CMOS Image Sensor
- * Global Shutter CMOS Technology
- * Full Camera Link Interface with 8 bit or 10 bit Data Output
- * Excellent Noise Reduction and Heat Treatment
- * Field Upgradable Firmware
- * Pixel Defect Correction

Applications

- * PCB Inspection
- * Semiconductor Inspection
- * 3D Inspection
- * Scientific Research Imaging

Specifications

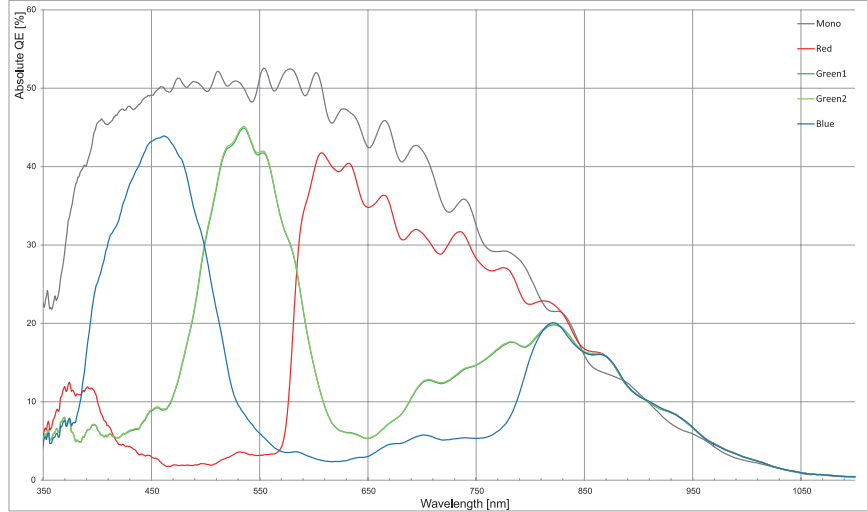
Model	VC-12MC-M/C 65	VC-25MC-M/C 30
Resolution (H × V)	4096 × 3072	5120 × 5120
Sensor	CMOSIS CMV 12000	On Semiconductor VITA-25K
Sensor Size (Optical Format)	22.5 mm × 16.9 mm (Diagonal: 28.14 mm, APS-like)	23.04 mm × 23.04 mm (35 mm)
Sensor Type	High Speed CMOS Image Sensor	
Pixel Size	5.5 μm × 5.5 μm	4.5 μm × 4.5 μm
Interface	Camera Link	
Max. Frame Rate	2 Tap: 13.0 fps 4 Tap: 26.0 fps 8 Tap: 51.7 fps 10 Tap: 64.3 fps	2 Tap: N/A 4 Tap: N/A 8 Tap: 25.3 fps 10 Tap: 30.8 fps
Transfer Time	2 Tap: 76.9 ms 4 Tap: 38.5 ms 8 Tap: 19.4 ms 10 Tap: 15.6 ms	2 Tap: N/A 4 Tap: N/A 8 Tap: 39.42 ms 10 Tap: 32.47 ms
Pixel Data Format	8 bit (2/4/8/10 Tap) 10 bit (2/4/8 Tap)	
Electronic Shutter	Global Shutter	
Data Output Pixel Clock Speed	85 MHz	
Trigger Mode	Free-Run, Trigger Programmable Exposure Time and Trigger Polarity	
Dynamic Range	60 dB	54 dB
Dimension / Weight	68 mm × 68 mm × 80 mm, 432 g (F-mount)	
Temperature	Operating: 0°C ~ 40°C, Storage: -40°C ~ 70°C	
Lens Mount	F-mount, Custom mount available upon request	
Power	10 ~ 14 V DC, Typ. 5 W	10 ~ 14 V DC, Typ. 6 W
Compliance	CE, FCC, KC	
Configuration Software	Configurator	

VC-12MC / VC-25MC

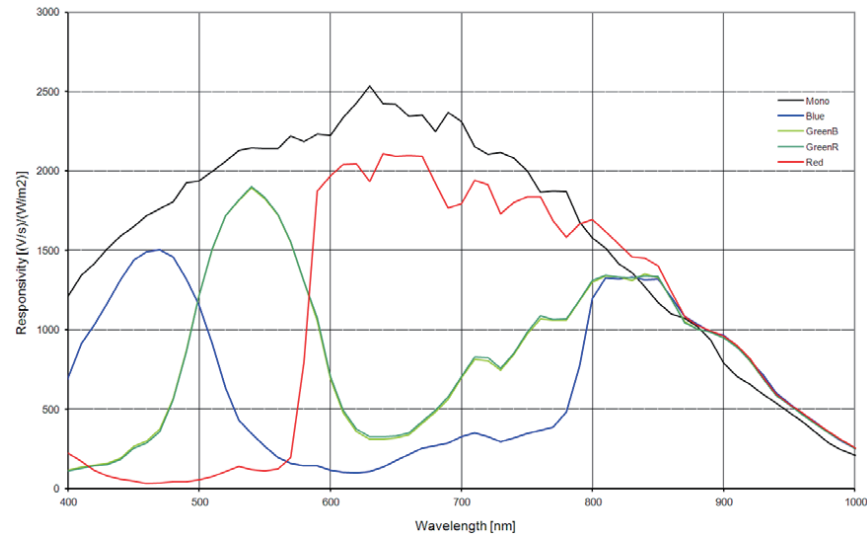
UP TO 25 MEGAPIXELS RESOLUTIONS, GLOBAL ELECTRONIC SHUTTER, HIGH-SPEED CMOS DIGITAL CAMERA

Quantum Efficiency Curves

VC-12MC



VC-25MC



Ordering Scheme

VC - 25M C - M 30 D0	
Series VC Series	Sensor Options D0 - On Semiconductor E0 - CMOSIS
Sensor Resolution 12M - 12 Megapixels 25M - 25 Megapixels	Frame Rate 30 - 30 fps 65 - 64 fps
Interface C - Camera Link	Mono / Color M - Monochrome C - Color

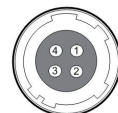
Connector Specification

Power



1 2 3: +12V DC, 4 5 6: GND (HR10A-7R-6PB)

Control



1: Trigger IN+, 2: Trigger IN-
 3: DC Ground, 4: Strobe OUT+ (HR10A-7R-4S)

Connectors on camera body

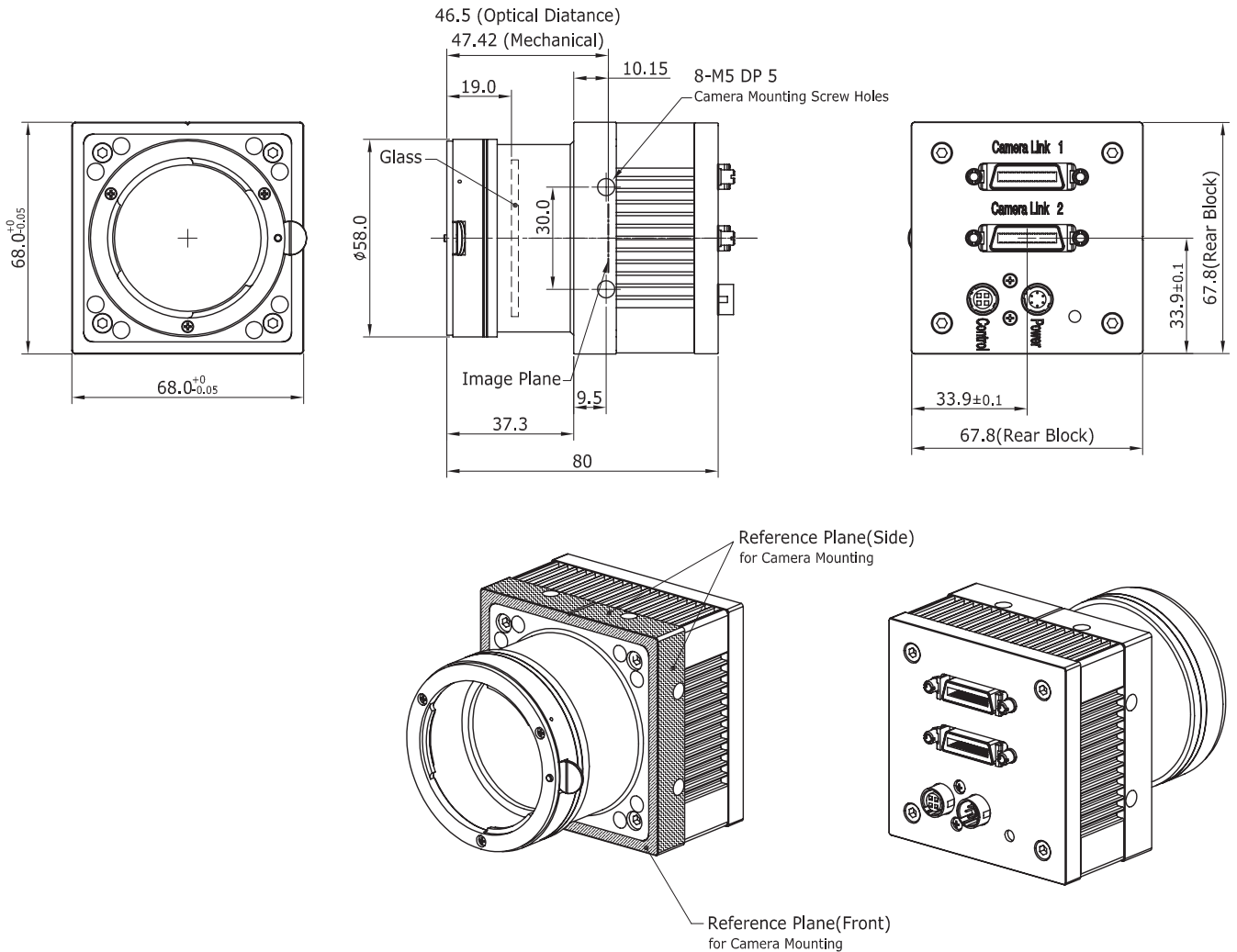
VC-12MC / VC-25MC

UP TO 25 MEGAPIXELS RESOLUTIONS, GLOBAL ELECTRONIC SHUTTER, HIGH-SPEED CMOS DIGITAL CAMERA

Mechanical Dimensions

Unit: mm

F-mount for VC-12MC-65 and VC-25MC-30



For more information please contact local distributor or visit our website at <http://www.viewworks.com>.

Reproduction in whole or in part without written permission is prohibited. Viewworks Co., Ltd. is not responsible for any technical or typographical errors and reserves the right to make changes to products, specifications and documentation without prior notice.

RA14-137-036

VIEWWORKS

41-3, Burim-ro 170 beon-gil, Dongan-gu, Anyang-si, Gyeonggi-do, 14055 Republic of Korea
tel +82-70-7011-6161 fax +82-31-386-8631 e-mail sales@viewworks.com