
VL-8KC-M 80

VL-8KDC-M 80

VL-16KC-M 40

HIGH SENSITIVITY & HIGH SPEED LINE SCAN CAMERA



VL Series offers two different high resolution models with 8k and 16k CMOS sensors delivering greater speed and more sensitivity than ever before. The VL-16KC model delivers a maximum line rate of 40 kHz. Even higher line rate, up to 77 kHz can be achieved using the VL-8KC/8KDC camera.

All cameras have exposure control with 100x anti-blooming. This camera series is ideal for demanding applications such as flat panel display inspection, printed circuit board inspection, and high-performance document scanning.

VIEWORKS

VL-8KC / VL-8KDC / VL-16KC

HIGH SENSITIVITY & HGH SPEED LINE SCAN CAMERA

Main Features

- * CMOS Line Scan
- * Up to 77kHz at 8k Resolution or up to 40kHz at 16k Resolution
- * CMOS Dual Line Scan Technology (VL-8KDC)
- * 100x Anti-blooming
- * Exposure Control
- * Pre-emphasis Function
- * Programmable User Setting Commands

Applications

- * Flat Panel Display Inspection
- * Printed Circuit Board Inspection
- * High Performance Document Scanning
- * Printing and Packaging System

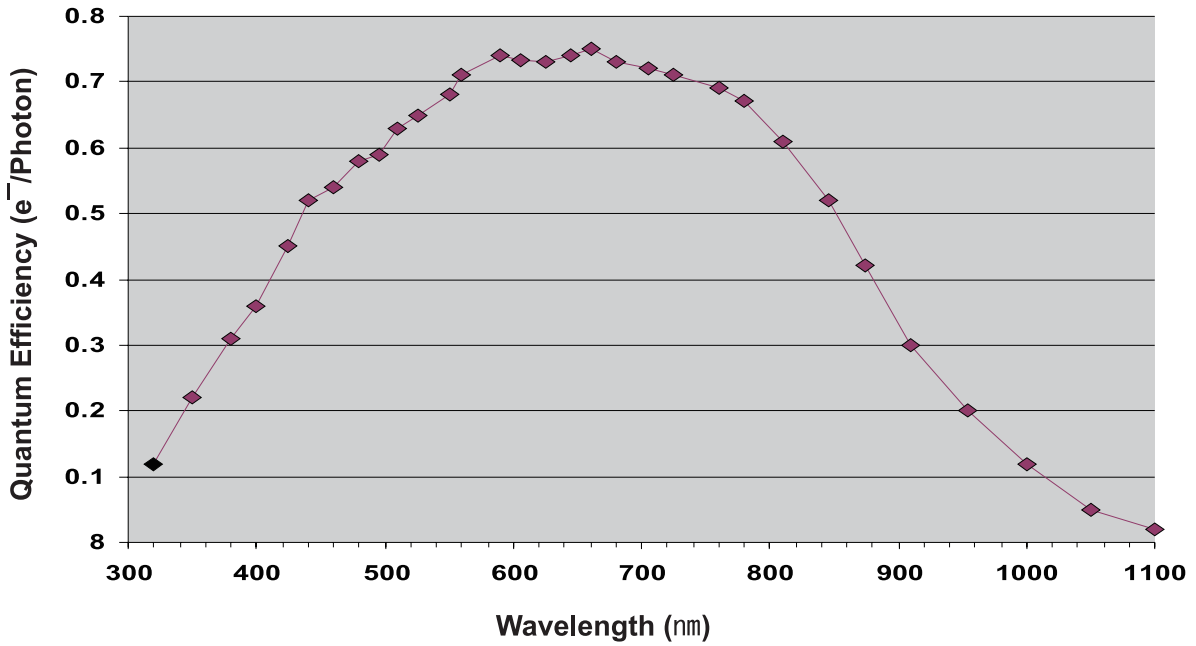
Specifications

Model	VL-8KC-M 80	VL-8KDC-M 80	VL-16KC-M 40
Resolution (H × V)	8192 × 1	8192 × 2	16384 × 1
Sensor (Awaiba)	DR-8k-7	DR-2x8k-7	DR-16k-3.5
Sensor Type	Linear CMOS		
Pixel Size	7.0 μm × 7.0 μm	7.0 μm × 7.0 μm	3.5 μm × 3.5 μm
Sensor Output	2, 4 or 8 Tap		
Interface	Camera Link (Base / Medium / Full)		
Max. Line Rate	77 kHz	77 kHz	40 kHz
Exposure Time (0.01 μs step)	2.00 μs – 10000.00 μs		
Pixel Data Format	8 / 10 / 12 bit (12 bit supported in 2 and 4 Tap)		
Data Output Pixel Clock Speed	85 MHz		
Dual Line Technology	N/A	Supported	N/A
Acquisition Mode	Single Line	Single Line / Dual Line	Single Line
Image Direction	N/A	CC3 or Programmable	N/A
Trigger Mode	Free-Run, External Sync, External Sync Converter		
Dynamic Range	66 dB	66 dB	64 dB
Gamma Correction	User Defined Lookup Table (LUT)		
Black Level	Adjustable (0 ~ 2048 LSB at 12 bit)		
Digital Gain	×1.00 ~ ×32.00		
Max. Cable Length	10 m (@ 85 MHz, Standard Camera Link Cable)		
Lens Mount	M72 × 0.75 (Sensor to Camera Front: 12 mm)		
Dimension / Weight	80 mm × 80 mm × 54 mm / 420 g		
Temperature	Ambient Operating: 0°C ~ 40°C (Housing: 0°C ~ 60°C), Storage: -40°C ~ 70°C		
Power	8 ~ 28 V DC, Typ. 8 W		
Configuration Software	Configurator		

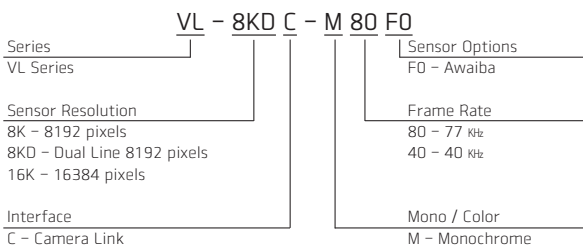
VL-8KC / VL-8KDC / VL-16KC

HIGH SENSITIVITY & HIGH SPEED LINE SCAN CAMERAS

Quantum Efficiency Curves



Ordering Scheme



Connector Specification

Power



1 2 3: +12V DC, 4 5 6: GND
(HR10A-7R-6PB)

Control



1: Trigger IN+, 2: Trigger IN-
3: DC Ground, 4: Strobe OUT+
(HR10A-7R-4S)

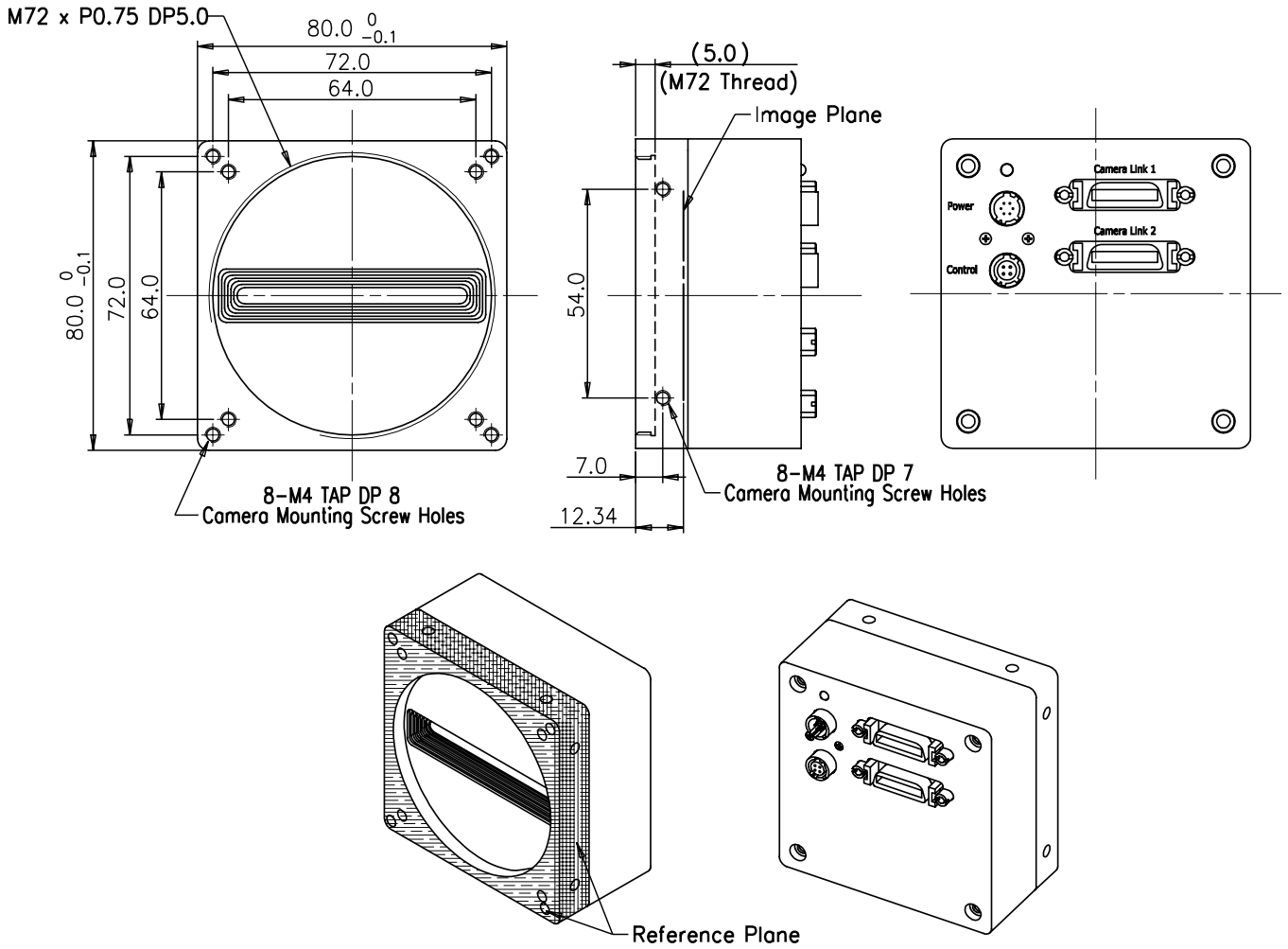
Connectors on camera body

VL-8KC / VL-8KDC / VL-16KC

HIGH SENSITIVITY & HIGH SPEED LINE SCAN CAMERA

Mechanical Dimensions

Unit: mm



For more information please contact local distributor or visit our website at <http://www.vieworks.com>.

Reproduction in whole or in part without written permission is prohibited. Vieworks Co., Ltd. is not responsible for any technical or typographical errors and reserves the right to make changes to products, specifications and documentation without prior notice.

RA14-13A-005

VIEWORKS

41-3, Burim-ro 170 beon-gil, Dongan-gu, Anyang-si, Gyeonggi-do, 14055 Republic of Korea
tel +82-70-7011-6161 fax +82-31-386-8631 e-mail sales@vieworks.com