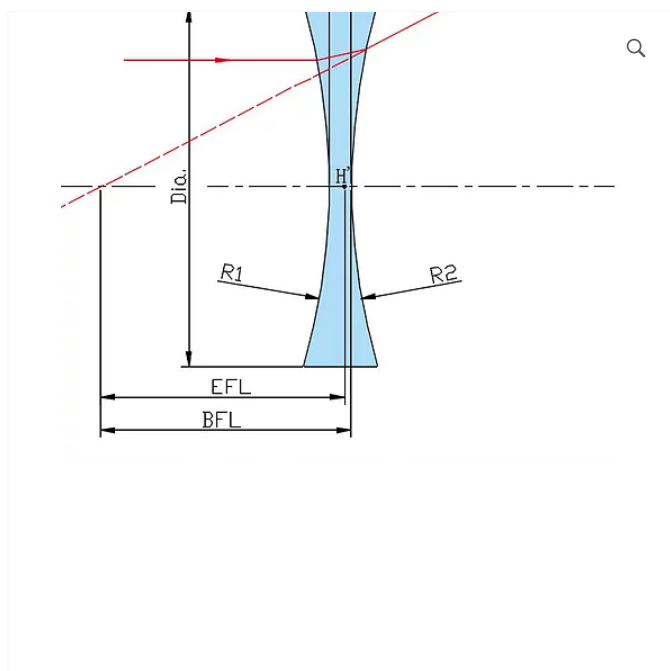


Golden Vue Optics

Your optics supplier

Home / BK7 Double Concave Lenses



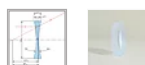
BK7 Double Concave Lenses

Diameter

Effective Focal Length

Quantity

Contact Us to Purchase



Double concave lens is ideal for beam expansion, light projection, and expanding the focal length of an optical system

Please contact us at info@goldenvueoptics.com for any custom design. Thanks!

General specs:

Material:	BK7
Design Wavelength:	587.6nm
Diameter Tolerance:	+0.0/-0.1mm
Center Thickness Tolerance:	±0.2mm
Surface Quality:	60/40
Power (P-V):	1.5 lambda @632.8nm
Irregularity (P-V):	lambda/4 @632.8nm
Centration:	3 arc min.
Focal Length Tolerance:	±2%
Bevel:	0.2mm x 45°
Coating:	None

