

Gocator

1300 SERIES

High-Speed 3D Laser Point Profile Sensors

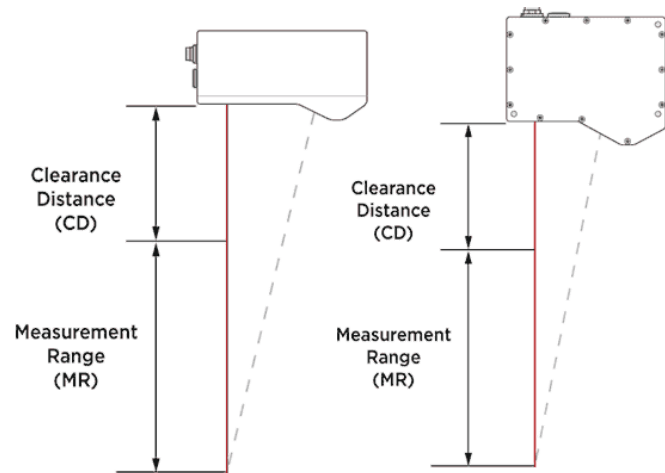
Use Gocator laser point profile sensors for high-speed dimensional measurements (e.g. surface roughness, object thickness) in closed-loop automation systems.

- Pre-calibrated and ready to measure
- Scalable to a synchronized multiple sensor network
- Small footprint



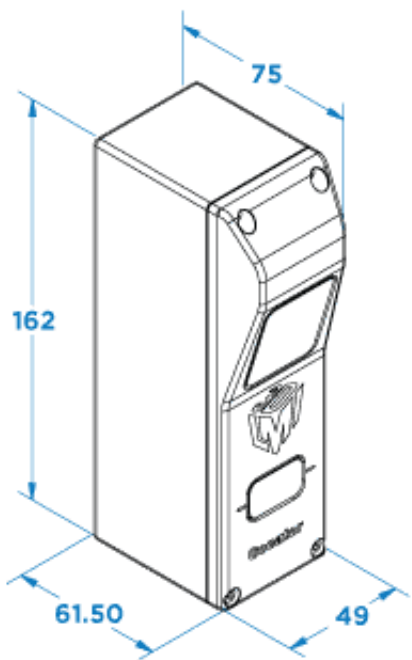
[DOWNLOAD DATASHEET \(/NODE/851\)](/node/851)

QUICK SPECS

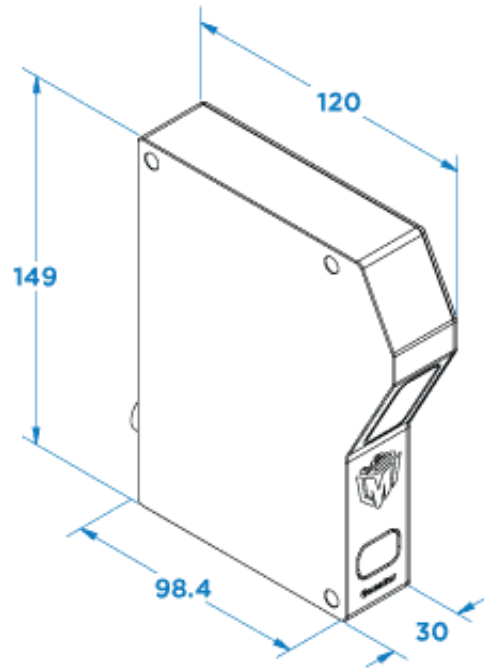


Model	1320	1340	1350	1365	1370	1380
Resolution Z (mm)	0.0004	0.0005	0.0015	0.0025	0.0025	0.0100
Clearance Distance (mm)	40	162.5	200	562	237.5	127
Measurement Range (mm)	20	95	200	375	412.5	1651

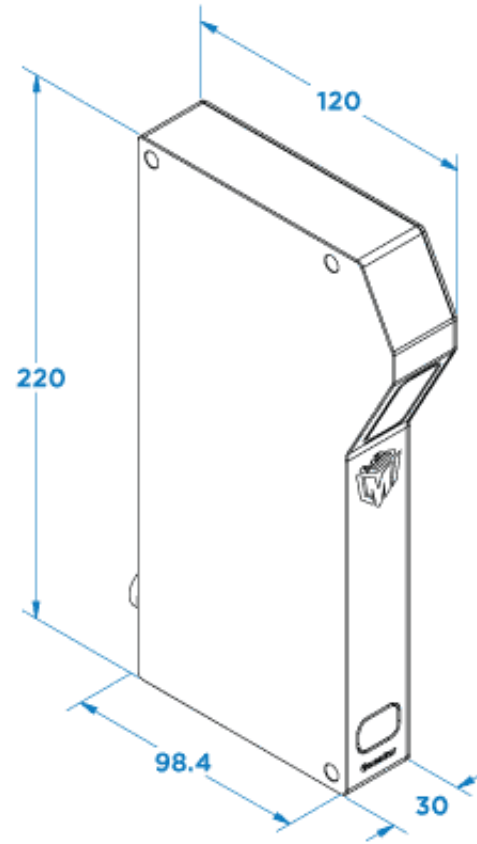
QUICK SPECS



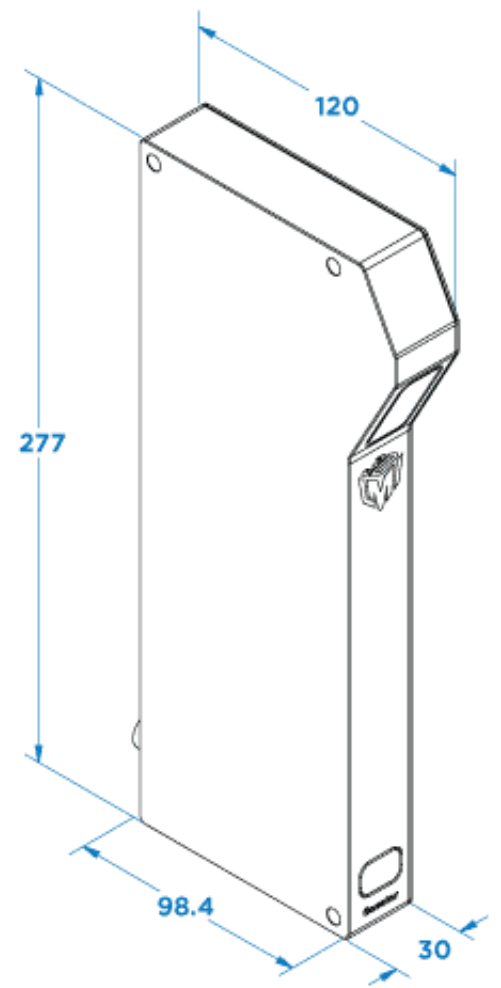
TOP MOUNT
1320/50/70



SIDE MOUNT
1320/40/50/70/80

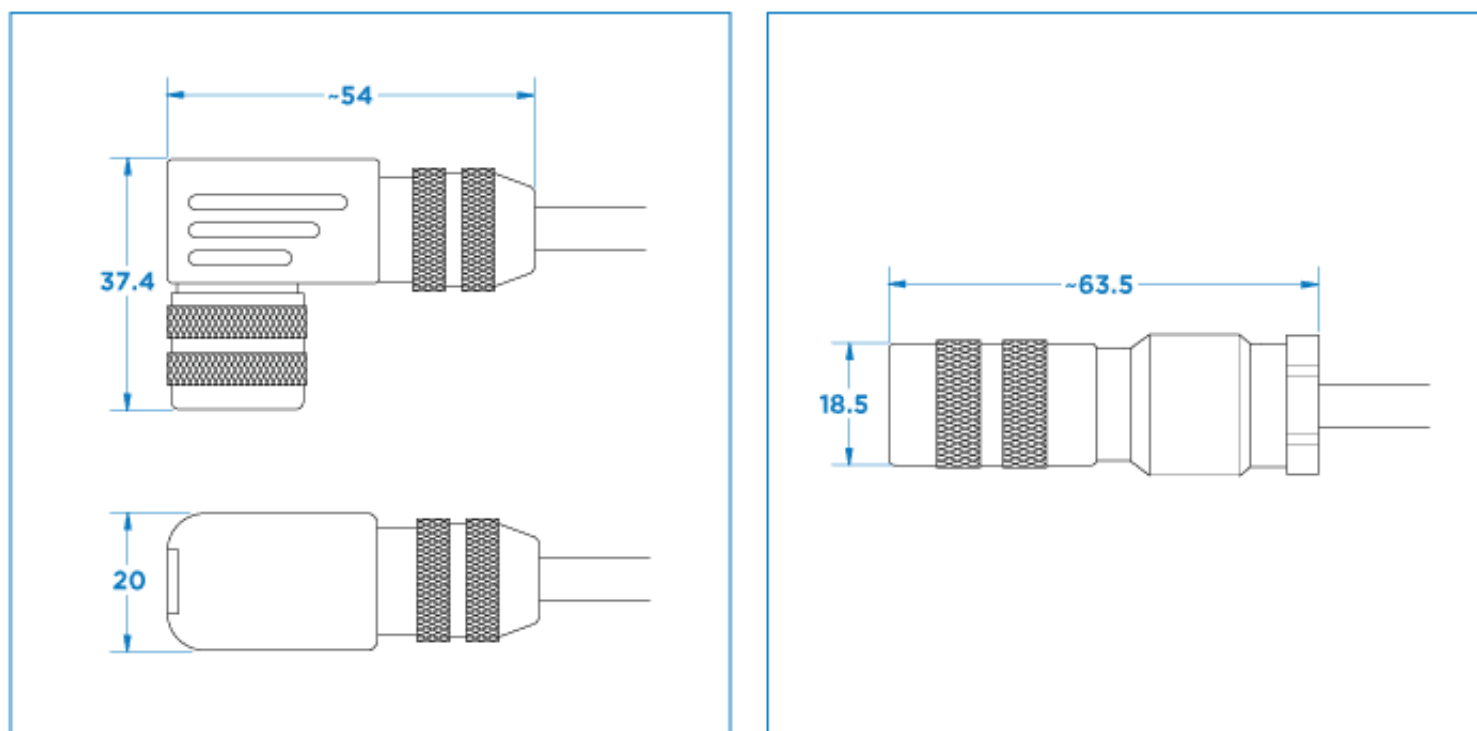


SIDE MOUNT
1365



SIDE MOUNT
1390





90 Degree Connector / Straight Connector

Test Drive a Virtual Gocator® 3D Smart Sensor

The ultimate sensor emulator is here.

Choose from a variety of application scenarios, then use an exact duplicate of the Gocator interface. Perform measurements on pre-recorded data from a variety of scanned components—all in a web browser-based "virtual sensor" environment. Right from your desktop. Without the need for a physical sensor. You can use Emulator online, via download, or for sample testing of your part.



[GET STARTED NOW \(/VIRTUAL-3D-SMART-SENSOR\)](#)

FactorySmart® Sensors

Increase your quality and productivity with smart 3D for the factory

[CONTACT US \(/CONTACT\)](#)



<https://lmi3d.com/support>

All LMI products are backed by documentation and a team of experts to help you.

[PRODUCT SUPPORT](https://lmi3d.com/support)

<https://lmi3d.com/support>



<https://lmi3d.com/contact>

Please contact us if you have any questions about your LMI implementation or product.

[CONTACT US](https://lmi3d.com/contact)

<https://lmi3d.com/contact>



<http://support.lmi3d.com/kb.php>

Our Knowledge Base has a wealth of information about 3D technology and its applications.

[KNOWLEDGE BASE](http://support.lmi3d.com/kb.php)

<http://support.lmi3d.com/kb.php>

[PRIVACY POLICY \(/NODE/221\)](#) | [TERMS & CONDITIONS \(/NODE/226\)](#) | [TWITTER](https://twitter.com/lmi3d) | [YOUTUBE](https://www.youtube.com/user/lmistechnologies) | [LINKEDIN](https://ca.linkedin.com/company/lmi-technologies)

© 2020 LMI TECHNOLOGIES INC. ALL RIGHTS RESERVED.