



# Goldeye

## G-033 TECless

- Fast GigE Vision InGaAs SWIR camera
- VGA resolution
- TECless
- Power over Ethernet
- Compact industrial design, no fan

### Goldeye G-033 TECless - High-speed TECless VGA InGaAs camera

The Goldeye G-033 TECless high-speed camera is the fastest VGA resolution short wave infrared camera (SWIR) with GigE Vision interface. Frame rates up to 301 fps at full resolution enable you to access versatile application fields and to speed up your processes. Thanks to its very affordable price, many cost-sensitive applications can benefit from the camera's outstanding performance.

Save time and money to integrate the camera into your system: A small form factor and multiple mounting options let the camera fit easily into compact system designs. In addition, its standardized GigE Vision interface including Power over Ethernet (PoE) and comprehensive I/O control options simplify the connection to your software solution and the synchronization with other system components.

Several on-board image correction features contribute to the Goldeye's outstanding image quality. Reveal more of the invisible with Goldeye SWIR cameras!

#### Benefits and features

- Compact industrial design
- Up to 301 fps at full resolution
- GigE Vision interface with Power over Ethernet
- Comprehensive I/O control options
- Automated image correction

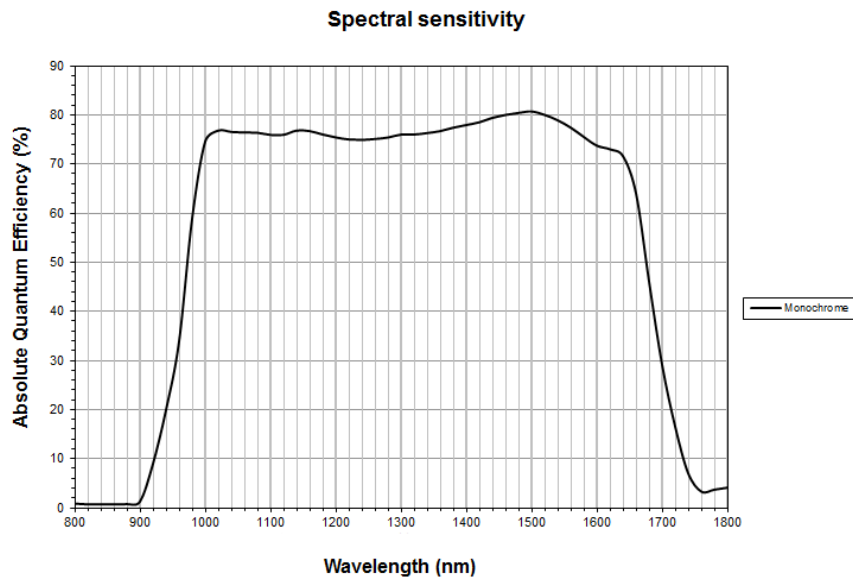
#### Options

- Available with C-Mount; F-Mount and M42-Mount available on request

### Specifications

<b>Goldeye</b>	<b>G-033 TECless</b>
Interface	IEEE 802.3 1000BASE-T, IEEE 802.3af (PoE)

<b>Goldeye</b>	<b>G-033 TECless</b>
Resolution	640 (H) × 512 (V)
Spectral range	900 nm to 1700 nm
Sensor	InGaAs FPA 640 × 512
Sensor type	InGaAs
Sensor size	No standard size
Pixel size	15 μm × 15 μm
Cooling temperature	(n/a)
Dark current	430 ke <sup>-</sup> /s (@ +45 °C FPA temperature)
Lens mount (default)	C-Mount, F-Mount, M42-Mount
Max. frame rate at full resolution	301 fps
ADC	14 bit
Image buffer (RAM)	256 MByte
<b>Imaging performance</b>	
Temporal dark noise	390 e <sup>-</sup> (Gain0), 32 e <sup>-</sup> (Gain2)
Saturation capacity	1.2 Me <sup>-</sup> (Gain0), 25 ke <sup>-</sup> (Gain2)
Dynamic range	69 dB (Gain0), 59 dB (Gain2)
<b>Output</b>	
Bit depth	8 - 14 Bit
Monochrome pixel formats	Mono8, Mono12, Mono12Packed, Mono14
<b>General purpose inputs/outputs (GPIOs)</b>	
TTL I/Os	LVTTL I/Os: 1 input, 1 output
Opto-isolated I/Os	1 Input, 2 Outputs
RS232	115 200 Baud, 8N1 (adjustable)
<b>Operating conditions/dimensions</b>	
Operating temperature	-20 °C to +55 °C (Case)
Power requirements (DC)	10.8 V DC to 30.0 V or via PoE
Power consumption	6.0 W (@ 12 VDC), <7.5 W (@ PoE)
Mass	370 g (with C-Mount adaptor)
Body dimensions (L × W × H in mm)	78 × 55 × 55
Regulations	CE: 2014/30/EU (EMC), 2011/65/EU, incl. amendment 2015/863/EU (RoHS); FCC Class B



## Features

IR-specific features (camera and sensor)

- Integrated correction data sets, compensation of sensor inhomogeneity and underlying structures (non-uniformity correction - NUC)
- Defect pixel correction
- Background correction

General features

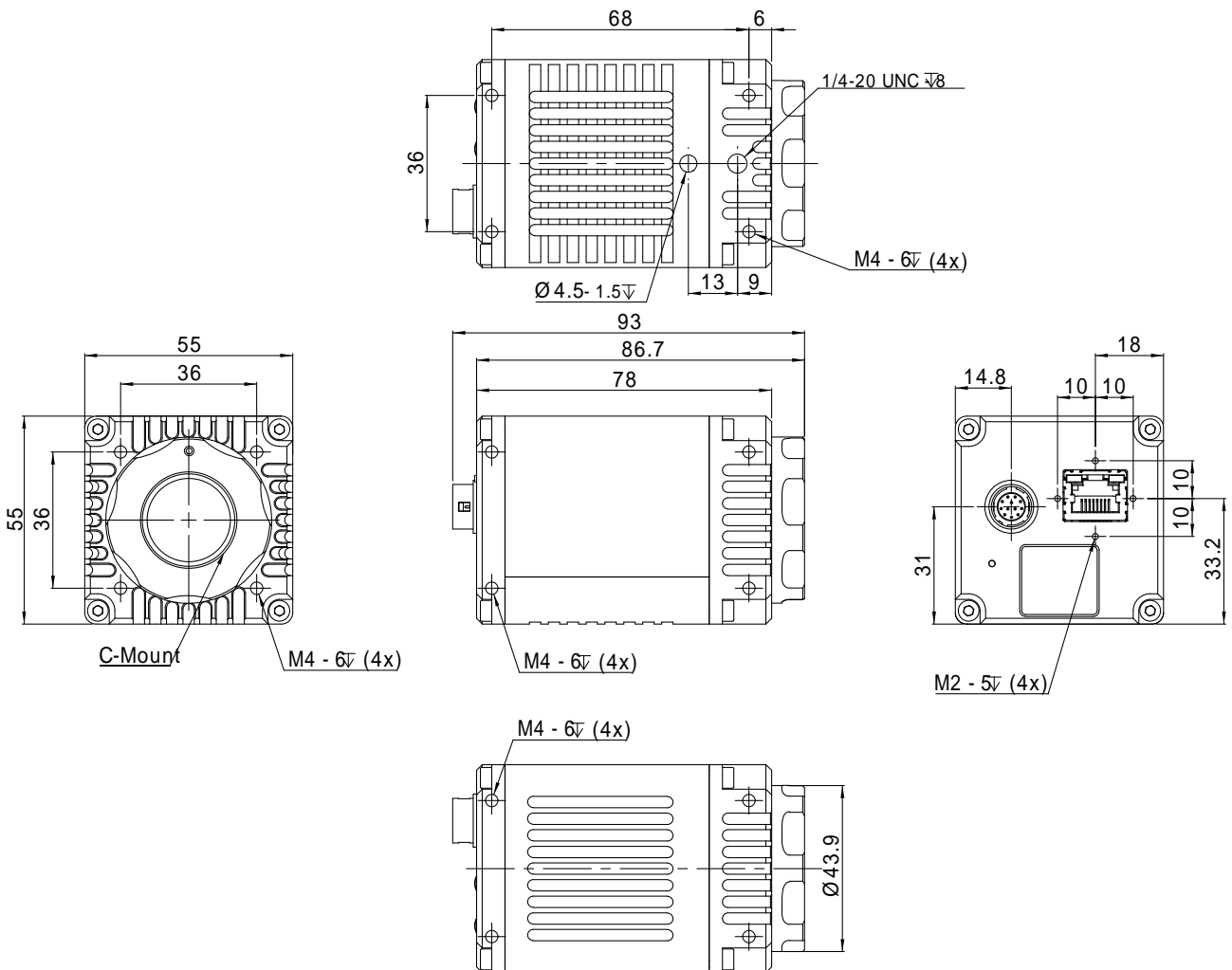
- Automatic exposure time control
- Gain (analog)
- I/O configuration and trigger control
- Stream hold (deferred image output)
- Storable user sets
- Firmware update in the field
- Region of interest (ROI) control, Look-up table (LUT) support, as well as various Auto-Features

Goldeye cameras are compatible with Allied Vision's Vimba SDK. Moreover, in combination with our AcquireControl software, extensive image analysis functions are available:

- LUT with several color profiles
- Auto contrast
- Auto brightness
- Analyze multiple regions (rectangular, circle) within the image

- Real-time statistics and histogram display

## Technical drawing





## Applications

Goldeye cameras are very sensitive in the SWIR spectrum. They can be used in an extended operating temperature range. Thanks to integrated image correction, Goldeye cameras achieve an outstanding image quality with little noise and a high dynamic range. They are well-suited for many typical SWIR applications in various industry branches:

- Semiconductor industry: solar cell and chip inspection
- Recycling industry: plastics sorting
- Medical imaging, sciences: hyperspectral imaging, microscopy, OCT
- Metal and glass industry: thermal imaging of hot objects (250 °C to 800 °C)
- Agriculture industry: airborne remote sensing
- Printing industry: banknote inspection
- Electronics industry: laser beam profiling
- Surveillance and security: vision enhancement (e.g., through fog or night vision)

### White Paper

To learn more about typical application fields for SWIR cameras, download our White Paper:

[Seeing beyond the visible – short-wave infrared \(SWIR\) cameras offer new application fields in machine vision](#)