



PRODUCTS SERVICE COMPANY CONTACT

## GL SERIES LASERS

**PRC'S GL SERIES 1000/1500/2000-WATT LASERS FEATURE A COMPACT DESIGN PERFECT FOR DIRECT INTEGRATION TO CUTTING MACHINES. GREAT FOR LASER RETROFITS ON FIXED OR MOVING SYSTEMS. THIS STATE-OF-THE-ART CO<sub>2</sub> LASER BOASTS A DISCHARGE EFFICIENCY UP TO 25% AND LOW GAS CONSUMPTION OF ONLY 5-10 LITERS PER HOUR.**

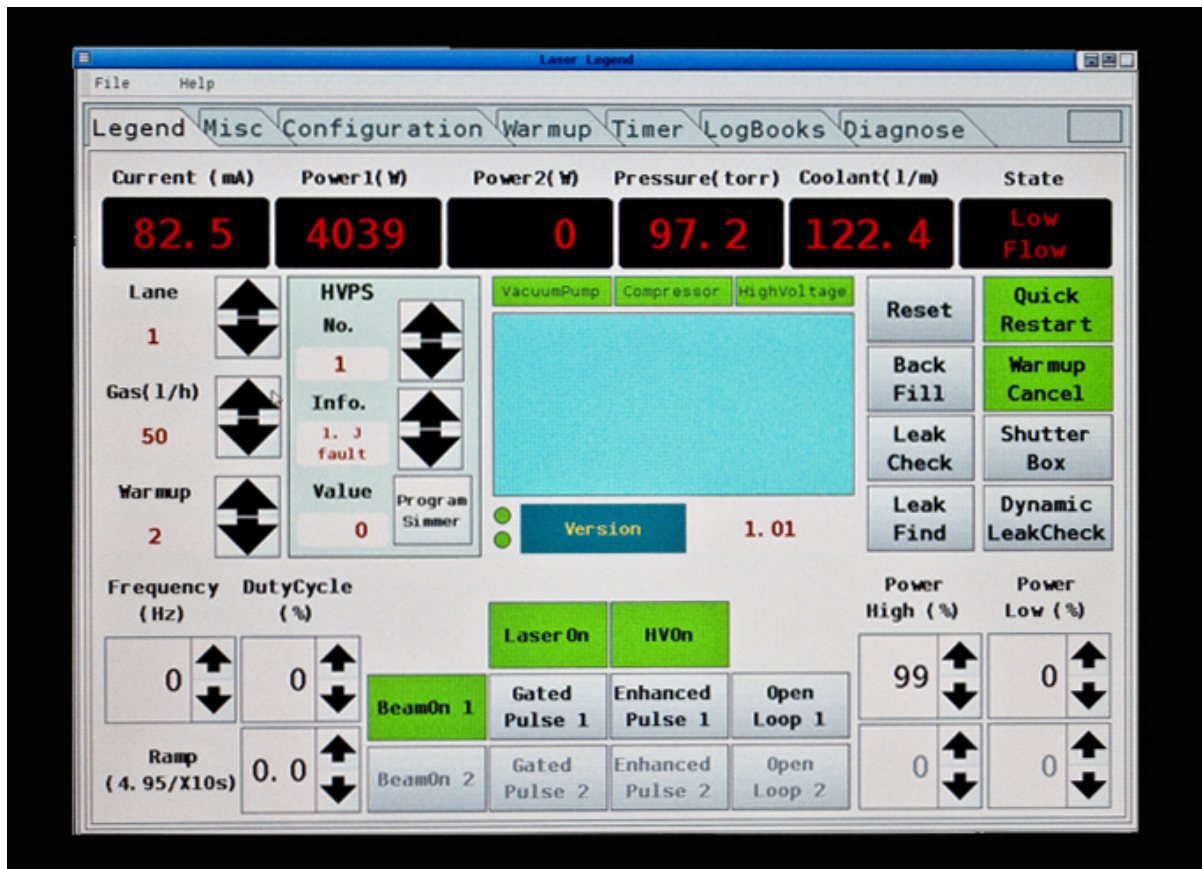
### FEATURES

- Compact single enclosure laser
- Patented TURBO FLOW compressor
- Solid state high voltage power supplies
- Low gas consumption, based on PRC GEM technology
- Touch screen control and diagnostics
- M<sup>2</sup> as low as 1.3 (K factor .77)
- Eye-safe 10.6 Micron standard, other wavelengths available
- TEM "00" Low M<sup>2</sup> high quality beam
- Runs on separate or pre-mixed gases

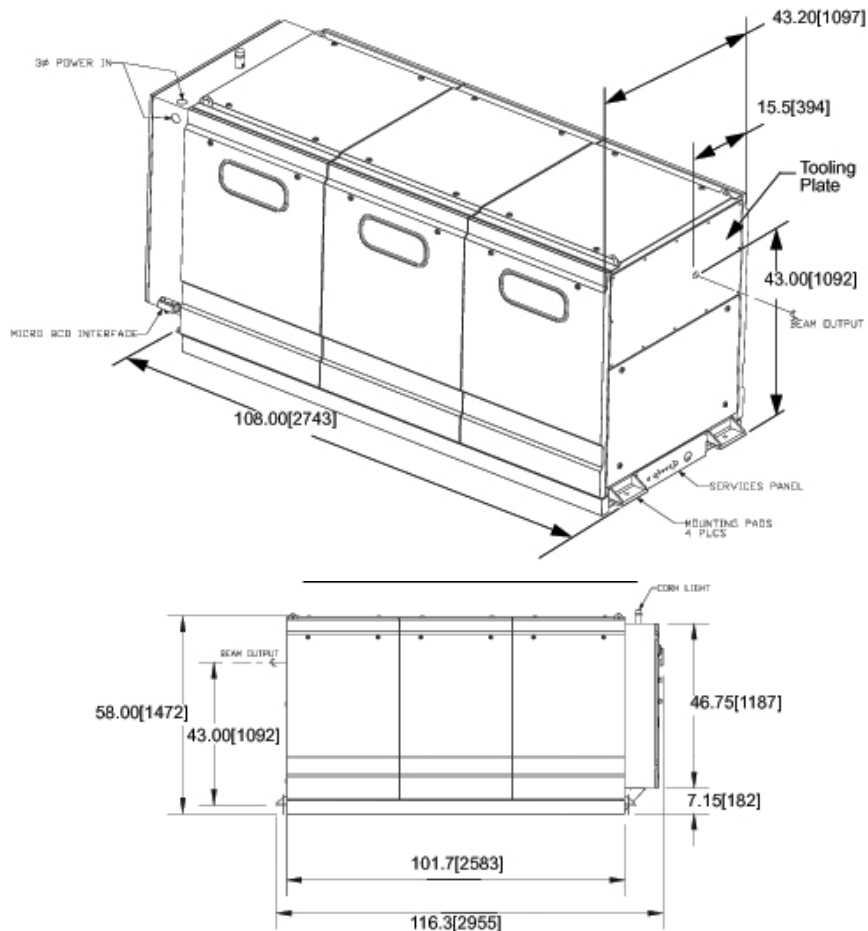


### TOUCH SCREEN STATUS, CONTROL & DIAGNOSTIC PANEL

PRC's optional touchscreen control provides laser status information and fault displays. Additionally, the control offers automated test routines, input/output diagnostic information, maintenance logbook, and can control power and pulsing parameters for basic laser applications.



**PLAN VIEW**



**SPECIFICATIONS**

	GL 1000	GL 1500	GL 2000
Rated Power (CW)	1000 Watts	1500 Watts	2000 Watts
Peak Power (Pulse)	2500 Watts	3750 Watts	5000 Watts
Operating Costs	\$2.55/hr	\$2.72/hr	\$2.90/hr
Gas Consumption	10L/hr <i>(China 25L/hr)</i>		
Beam Mode	TEM 00 or D Mode		D Mode
Beam Quality (M <sup>2</sup> )	1.3 or 2.0		2.0
Heat Load	54,454 BTU/hr	60,250 BTU/hr	66,700 BTU/hr
Coolant Flow	10GPM / 38LPM		18GPM / 68LPM
<b>Pulse Frequency</b>			
Gated Pulse	CW - 5kHz		
Superpulse	CW - 1kHz		
Hyperpulse	CW - 1kHz		
<b>Electrical</b>			
Volts/Hertz	460V/60Hz, 420V/50/60Hz, 380V/50/60Hz		
KvA (@110% CW Power)	17.6	21.7	22.5
<b>Cut Capacity</b>			
Steel	0.375" / 8mm	0.4375" / 10mm	0.5" / 12mm
Stainless Steel	0.125" / 3mm	0.125" / 3mm	0.25" / 6mm
Aluminum	0.125" / 3mm	0.160 / 4mm	0.200" / 5mm

© 2019 PRC Laser