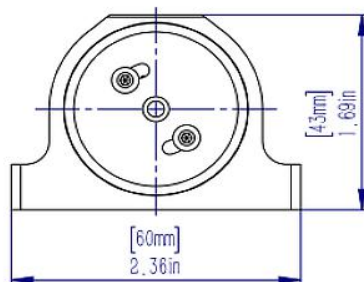
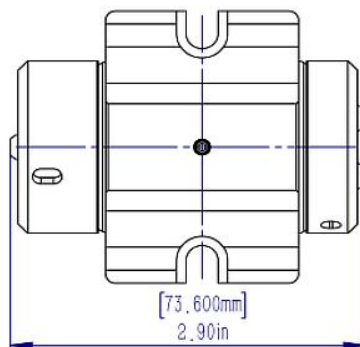
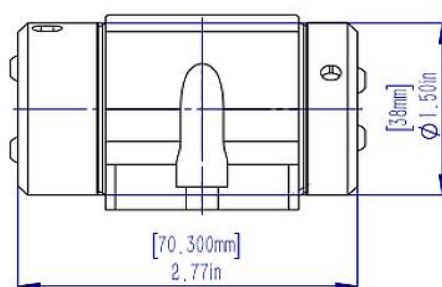
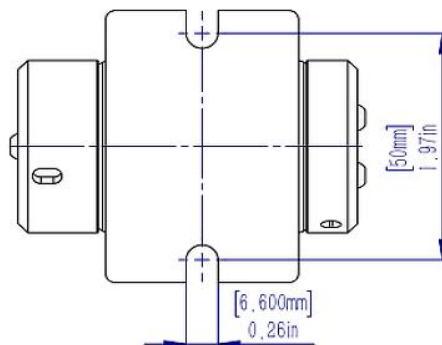


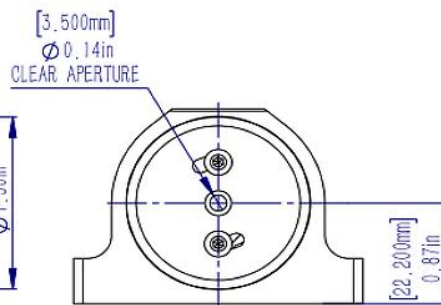
4



3

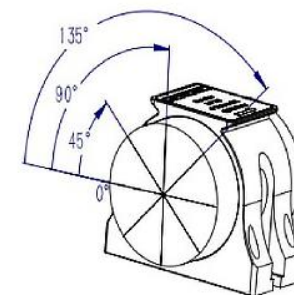


2



1

SPECIFICATIONS	
透光孔	3.5mm
峰值透过	>96%
消光	>33 dB (minimum)
旋转角	45°±0.5°
损伤阈值 (@1064nm)	>10J/cm ² @10ns(minimum) >1J/cm ² @8ps(minimum)
波前畸变	<1/8 wave per inch of length @633nm
减反	<0.25%
法拉第倾角	0.5°±0.1°
储存温度	-40℃ to 70℃
使用温度	10℃ to 30℃



POLARIZATION ORIENTATION REFERENCE

产品规格
1.设备配置:
中心波长: 1064nm
一般注意事项
2.所有尺寸仅供参考

APPROVED FOR MANUFACTURE

NAME	
TITLE	
COMPANY	
DATE	
SIGNATURE	

Confidentiality and ownership All the technologies included in the figure belong to our company. Without our written permission, any reproduction of drawings in part or in whole is prohibited.		Unnoted tolerance: unit of size : mm tolerance: ± 0.1 angle: ± 0.1 two decimal places ± 0.05 Three decimal places ± 0.005 Chamfer at sharp edge R50.5mm		company name:	
drawing: Jone	date: 2020/6/1	name:		size: A	
check:	date:	material:		figure number:	
Projection type:		amount:		revise:	
		ratio: 1:2		project: page: 1 of 1	

4

3

2

1