

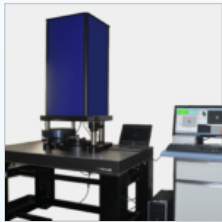


Phone: +44(0) 1604 654220

E-Mail: info@armstrongoptical.co.uk



Fizeau Interferometers IFV-300 & IFH-300

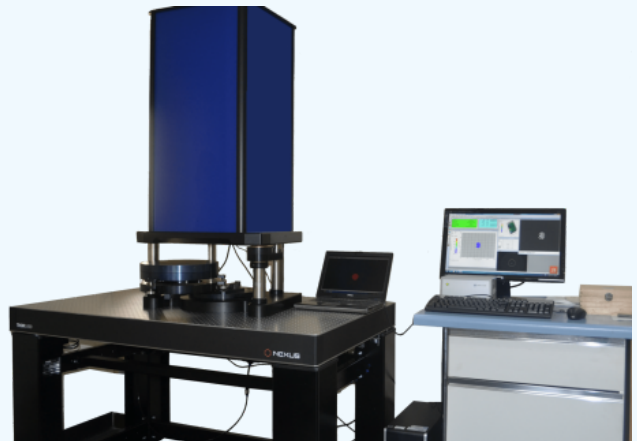
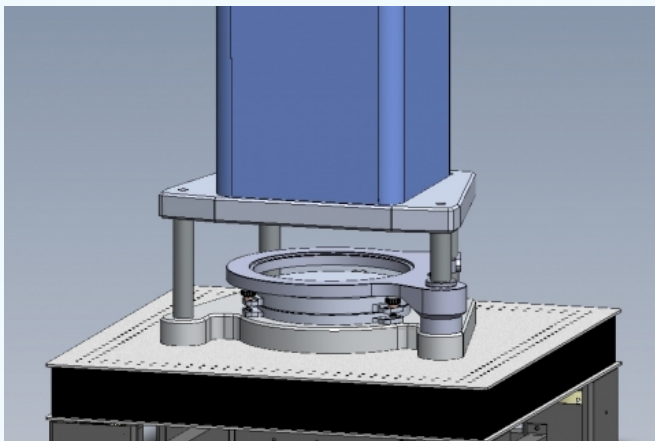


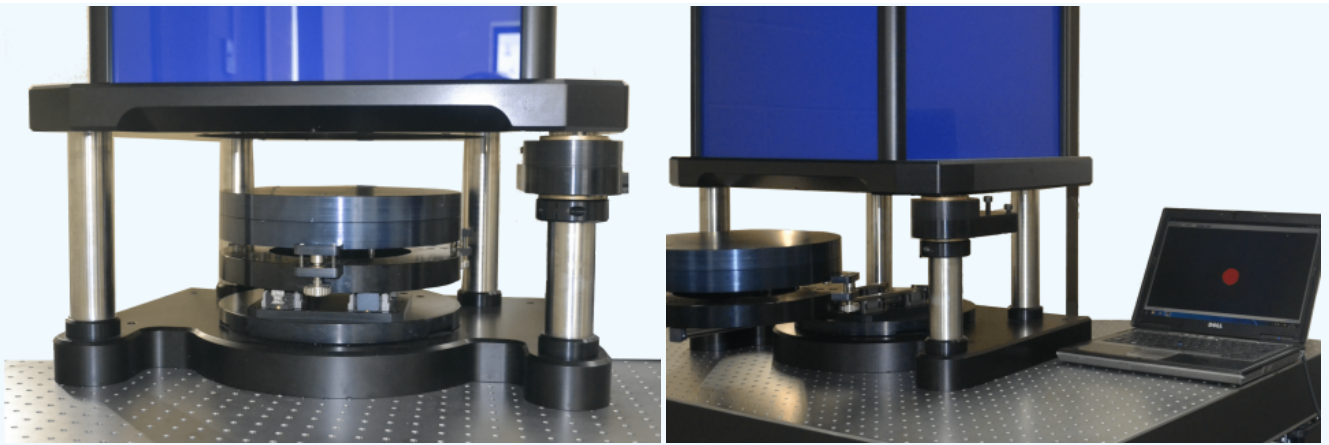
Armstrong Optical Fizeau interferometers IFV-300 & IFH-300

Newly available from Armstrong Optical are a range of customer-proven phase-measuring Fizeau interferometers with 300mm (12") aperture in both vertical (downward-looking) and horizontal configurations, IFV-300 and IFH-300.

Both configurations are supplied with a certified $\lambda/20$ transmission flat and an ergonomically designed sample handling system.

Using the well-respected, powerful and intuitive μ Shape Professional control, acquisition and analysis software from our partners Trioptics Berlin enables the simple, precise measurement of larger flat surfaces and windows in transmission.





For your demonstration please contact Armstrong Optical (44 (0)1604 654220) or [CLICK HERE](#)

LATEST NEWS

[NEW – CHRcodile 2 DPS system from Precitec](#)

[read more...](#)

Search Armstrong Optical website...



Subscribe to our mailing list

email address

Subscribe

Copyright © Armstrong Optical | All Rights Reserved.