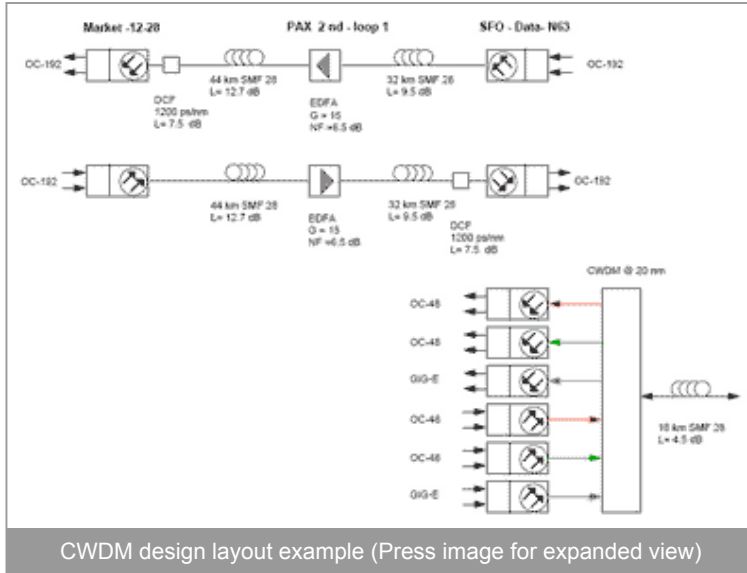




**Consulting Services:**

FNE performs consulting services to telecommunications, data communications and CATV industry. Our clients are component manufacturers, system manufacturers, Service providers and the investment community.



CWDM design layout example (Press image for expanded view)