

## 635nm Fiber Coupled Diode Laser System

DS3-51512-xxx-LDNo.



### Features:

- ◆ 635nm wavelength
- ◆ Up to 5W output power
- ◆ 4/9/105 $\mu$ m core diameter
- ◆ 0.22NA

### Applications:

- ◆ Aiming beam
- ◆ Scientific research

BWT provides a complete set of diode laser system solutions suitable for material processing, medical therapeutics and pumping solid-state laser media. The system makes it easier to develop new applications by outputting up to 200W diode laser to 4~400 $\mu$ m optical fibers.

The system provides a flexible and easy-to-use interface. The system can control the operating temperature, current, repetition frequency and pulse width of diode laser by touch screen, RS232 interface and I/O interface.

At BWT, to provide high quality products with reasonable price is our always goal.

## 635nm Fiber Coupled Diode Laser System

DS3-51512-xxx-LDNo.

Specifications (25°C)		Unit	DS3-51512-xxx-LD
Optical Data <sup>(1)</sup>	CW Output Power	mW	2~5000
	Center wavelength	nm	635
	Spectral width(FWHM)	nm	±10
	Wavelength shift with temperature	nm	≤3
	Output power instability (25°C)	%	±3 ( 2 hours )
	Power Range	%	10-100
Fiber Data	Core diameter	μm	4,9,105
	Numeric aperture	-	0.22
	Fiber length	m	0~5
	Fiber termination	-	SMA905
Electrical Data	Power supply	V	100~240/200~240 ( 50-60Hz )
	Power consumption at nom. Power, approx.	W	<1200
	Drive mode	-	Constant current
	Emission mode	-	CW or Modulated 1 Hz in 20kHz,
	Control mode	-	Touch screen, RS232, I/O
	Modulation frequency		1~20k
	Modulation Pulse Width	μs	20μs~950ms(Pulse)/20μs~999ms(Single Pulse)
	Modulation Rise/Fall Time (Min. Value)	μs	≤10
	Operation temperature <sup>(2)</sup>	°C	20~35
Current	A	<0.8	
Mechanical Parameters	Dimensions (L×W×H/mm)		387×377.4×145/305×295×135
	Weight	Kg	<15 / <8
Others	Refrigerating method	-	Air cooling
	Storage temperature <sup>(3)</sup>	°C	5~50
	Temperature Ambient in Operation	°C	15~30
	Cooling requirement	-	Internal fan, At least 10 cm space outside fan
	Relative Humidity	%	5~80
	Protection rating	-	IP54
	Safety class	-	4 ( EN 60825-01 )

(1) Consult BWT for other available options.

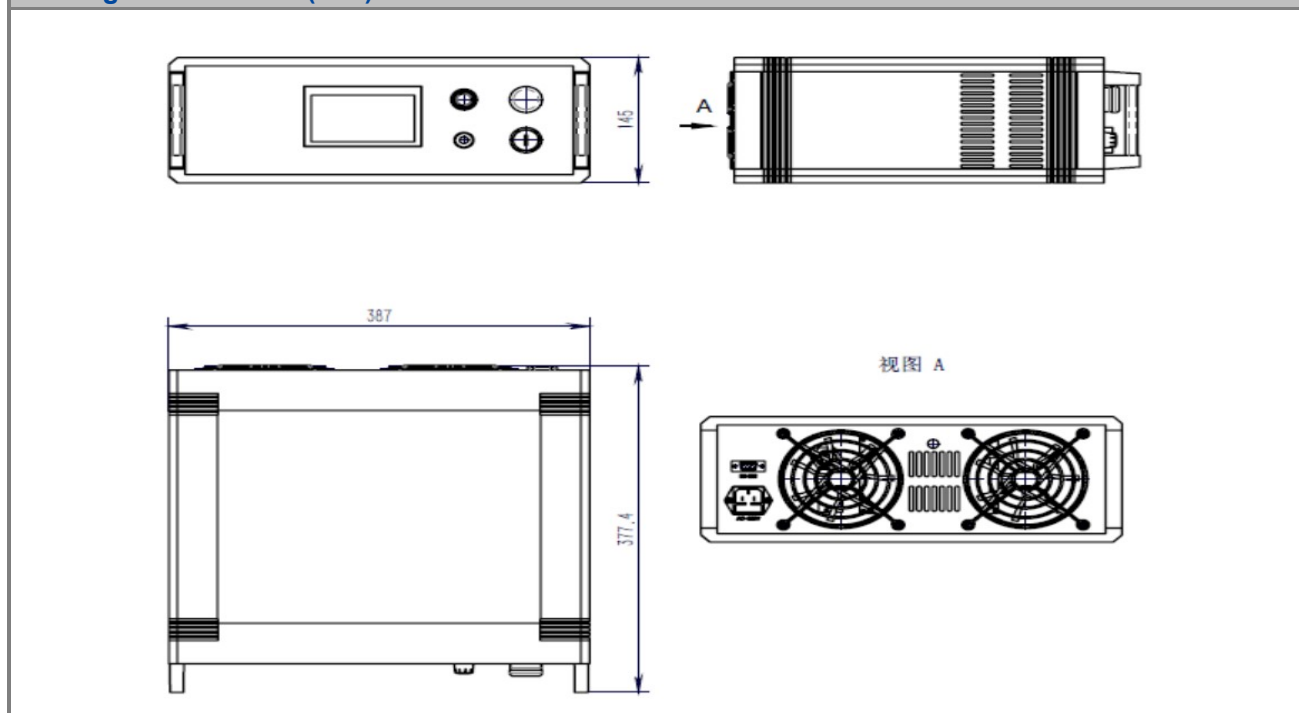
(2) Operating temperature defined by the package case. Acceptable operating range is 20°C~35°C, but performance may vary.

(3) A non-condensing environment is required for operation and storage.

## 635nm Fiber Coupled Diode Laser System

DS3-51512-xxx-LDNo.

### Package Dimensions (mm)



### OPERATING NOTES

- ◆ Avoid eye and skin exposure to direct radiation during operation.
- ◆ Make sure the fiber output end is properly cleaned before operation of laser. Follow safety protocols to avoid injury when handling and cutting the fiber.
- ◆ Use constant current power supply to avoid surge current during operation.
- ◆ Laser diode must be used according to the specifications.
- ◆ Operation temperature ranges from 15°C to 35°C.
- ◆ Storage temperature ranges from -20°C to +70°C .



**Declaration:** information and specifications contained herein are deemed to be reliable and accurate. BWT Beijing reserves the right to change, alter or modify the design and specifications of these products at any time without notice. 19-1