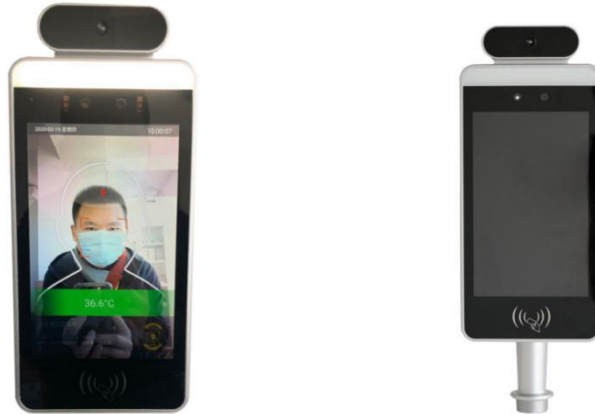


DFL 19 IRC Tablet IR Thermometer with Face Identification



With its algorithm, faces with different colors can be identified with instant speed and accuracy($\leq 0.2^{\circ}\text{C}$). At the same, the body temperature can be measured in the distance of 1.5 meters to lower the possibility of cross-infection. Abnormal temperature will be alarmed. It can be applied in the entrance of workshop, community and business building, etc.

● Feature

- **Heimann sensor for temperature measuring**
- With 3 D and water proof design and it can be used in outdoor or indoor
- 8 inch LCD touch display for the software to identify the face in frame, which is easily to be calibrated.
- Auto-exposure and wide dynamic technology to get the perfect face image, thus can be used in the condition like bright light, backlight and low light, etc
- ID number can be input into the backstage as black list for banning the illegal people to enter.
- User can log into the backstage to set and check the parameter and the data can be exported by USB
- Audio results will be output;
- Interface (W26\W34, USB, Ethernet) are supported;

Email: cf@cbtoptics.com

Mobile: +8615801565563

- Face with the mask can be identified;
- Interface for IR module of 32*32 with accuracy of 0.3 °C

Specification:

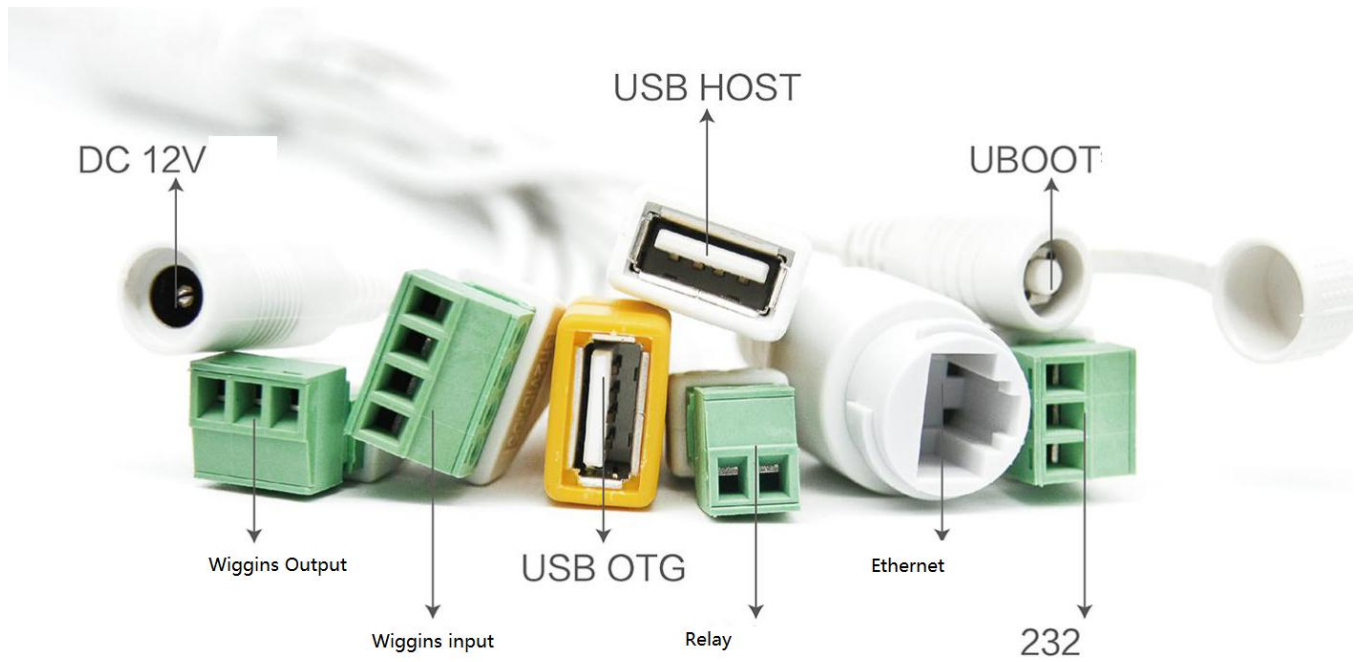
		DFL 191IRC
Hardware		Description
Main machine	System	Android 5.1, can be updated.
	CPU	Rockchip RK3288K ,Cortex-A17, Main frame: 1.8GHz,
	Storage	2GB DDR3
	Hard disk	8GB EMMC
Camera	Sensor	1/1.8 inch SONY IMX385 Super star 2.1 megapixel, CMOS sensor
	Dynamic	≥120dB
	Lens	4mm;
Display	Size	8inch/full view /high light
	Resolution	800*1280
	Angle	0°~30°
	Touch display	Support
Performance		Description
Identification time		≤0.6S second (storage is 20000 images of faces)
Method		ID card, Mifare / NFC card, Human face
Accuracy		≥99.99%
Pass ability		99%
Possibility of failure		0.01%
Distance for identification		0.3M~2.5M
Faces capacity		No limit
Skin color		Yellow, white, black, Latin
Mask identification		Support, reminded if unmasked
Performance	Range	10°C~50°C, no wind
	Accuracy	±0.3°C
	Resolution	0.1°C
	Range	0.5m~0.75m

	FOV	90°(H) * 90°(V)
	Respond time	200mS
Platform		Support, B/S
Interface		Description
Switching value	1 Input of the value	
	1 Output	
Wigan	1 input, Support Wigan 26 and Wigan34	
	1 output, support Wigan 26 and Wigan34	
Internet		1 RJ45 10M / 100M
USB		USB OTG
Features		Description
Power		DC12V
Size(Widths Height X length)	Column	130*292*34mm
	Wall mounted	130*292*34mm
	Floor type	200*1505.3*300mm
Environment		-30°C - +75°C, ≤90%RH
Water proof		IP66

Optional Stand support mounted and Wall mounted



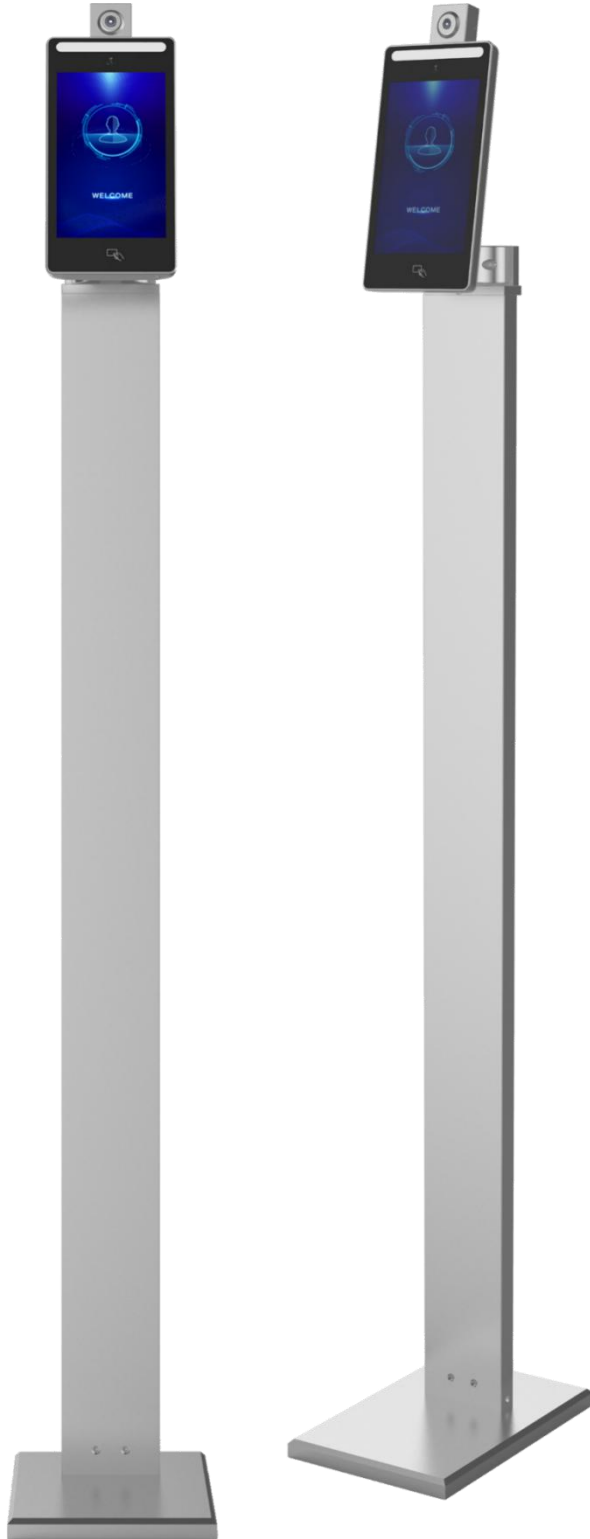
Interfaces





Wall mounted

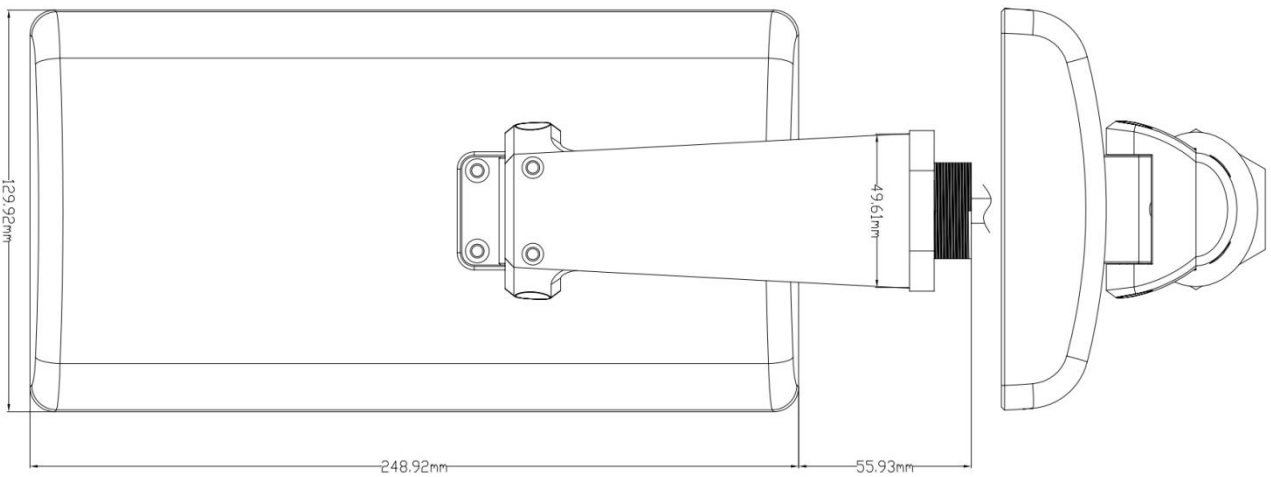
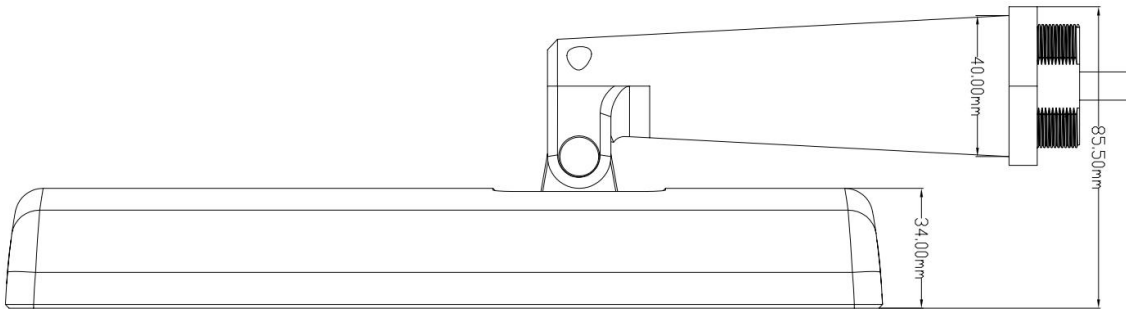
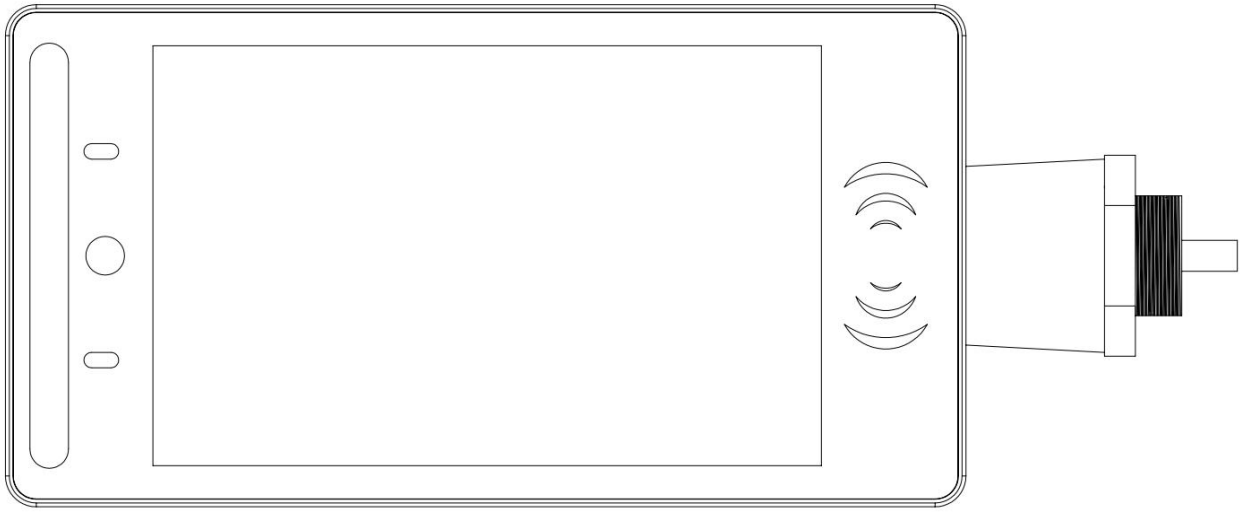




Stand mounted

Email: cf@cbtoptics.com

Mobile: +8615801565563



Email: cf@cbtoptics.com

Mobile: +8615801565563

