

Continuous Wave 532 nm Diode-Pumped Solid State Laser

CDPS532S



The Lumentum CDPS532S is a compact, continuous wave, 532 nm, diode-pumped solid-state laser. The system features a laser head and multi-function controller that requires a 5 V DC power source. It provides 10 and 20 mW of optical power with remarkable beam quality and low noise.

One of the key benefits of the CDPS532S is its compact and efficient design, which makes it easy to integrate into OEM instrumentation. The laser head does not incorporate beam shaping optics to allow for the smallest possible packaging. The CDPS532S laser controller is also very compact and efficient enough to forgo additional heat sinking.

The CDPS532S laser head features an improved cavity design for longer lifetime and reliability. Its mechanical design requires fewer parts and is therefore ideally suited for high volume manufacturing techniques. Overall, the CDPS532S laser's sophisticated new design results in exceptional optical performance from a rugged package with superior long term stability.

Easy to operate and to integrate, the controller interface provides several control functions, including interlock and diagnostics via transistor-to-transistor logic (TTL) and analog signals.

Key Features

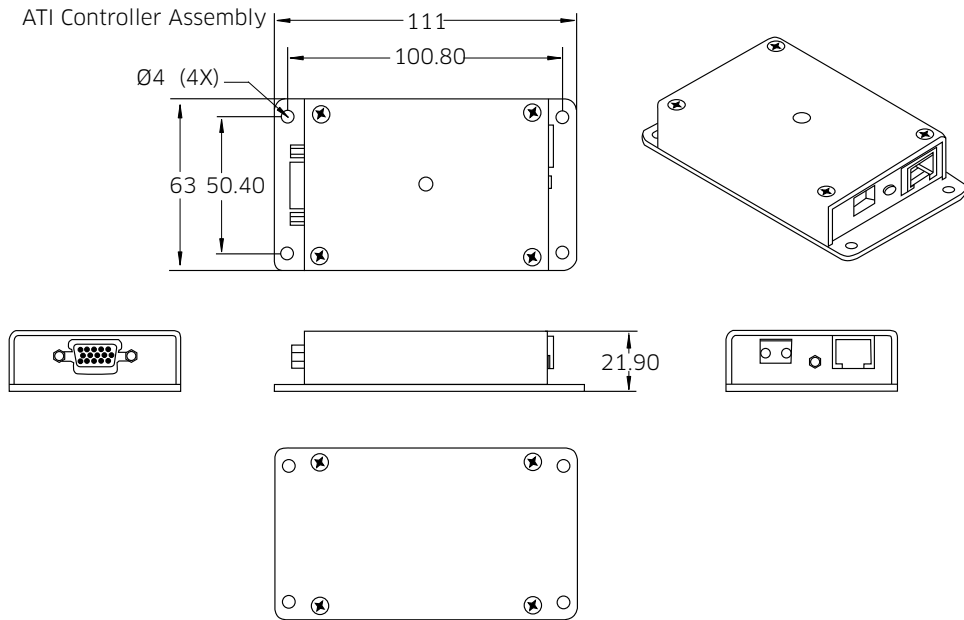
- Compact
- Robust design
- Low noise
- Excellent beam quality
- High reliability

Applications

- DNA sequencing
- Flow cytometry
- Capillary electrophoreses
- Instrumentation

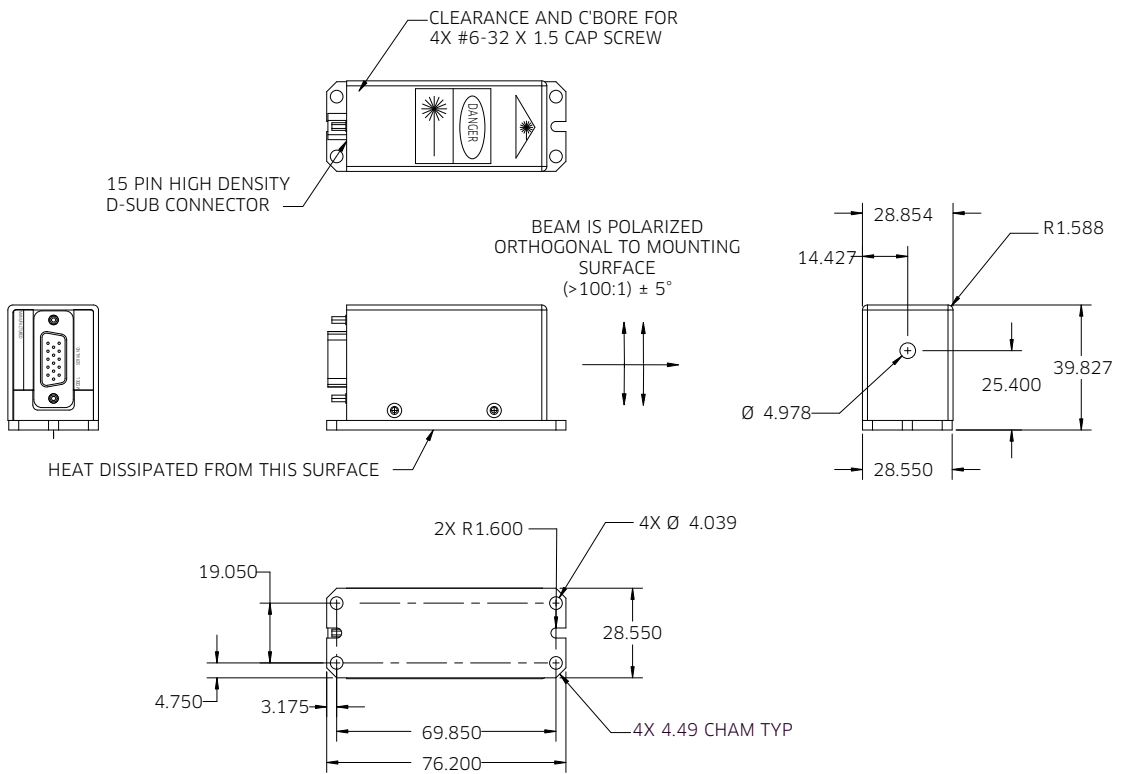
Dimensions Diagram: Controller

(Specifications in mm unless otherwise noted.)



Dimensions Diagram: Laser Head

(Specifications in mm unless otherwise noted.)

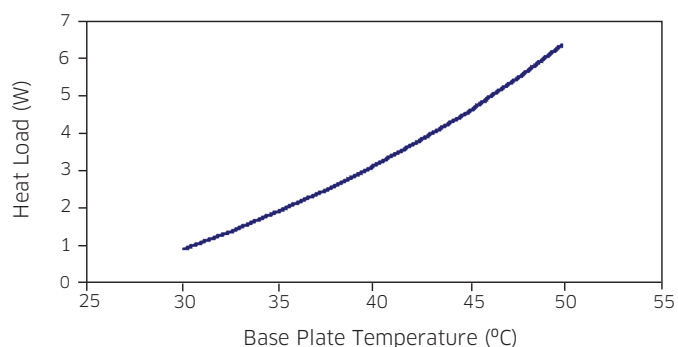


Specifications

Parameter	Specification
Optical	
Wavelength	532 ± 1 nm
Output power CDPS532S-010 CDPS532S-020	10 mW 20 mW
Power stability (1 hour, 25±3°C)	<1.5%
Mode quality M ²	<1.3
Beam diameter (1/e ² point, at a distance of 250 mm)	1.9±0.2 mm
Beam divergence (full angle)	<8 mrad
Polarization ratio (E-vector is vertical)	>100:1
Noise (rms, 20 Hz to 1 MHz)	<0.5%
Ellipticity	<10%
Pointing stability (after 2 hour warm-up, 25±3°C)	±30 µrad
Static alignment Beam position Beam angle	±1.0 mm ±1.5°
Environmental	
Base plate temperature Operating Non-operating	10 to 45°C 0 to 60°C
Shock (11 ms duration) Operating Non-operating	1 g 25 g
Vibration (sinusoidal, 5 to 500 Hz) Operating Non-operating	0.3 g 2 g
Heat sink requirements Surface flatness Torque specification	25 µm 0.5 Nm

Cooling Requirements

Follow these cooling recommendations when integrating the laser into an original equipment manufacturer (OEM) system or application. The laser head is mounted to a heat sink for proper operation. The maximum base plate temperature is maintained below 45°C. The recommended heat sink capacity at a temperature of 45°C is 10 W. The required heat sink properties are estimated with this chart.



Ordering Information

For more information on this or other products and their availability, please contact your local Lumentum account manager or Lumentum directly at customer.service@lumentum.com.

Sample: CDPS532S-010

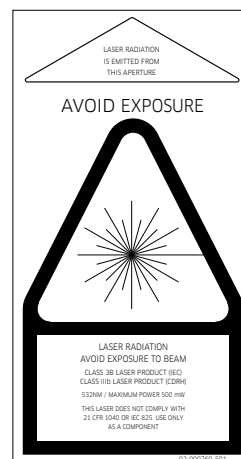


Code	Output Power
010	10 mW
020	20 mW

Compliance with Regulatory Requirements

The CDPS532S laser system is an OEM version of a Lumentum diode-pumped solid state laser. As such, it is intended only for integration into other equipment. The CDPS532S laser does not comply with Center for Devices and Radiological Health (CDRH) standards. The customer is responsible for CDRH certification of any system that incorporates the CDPS532S laser.

Warranty



Lumentum diode-pumped solid state lasers are warranted to be free of defects in materials and workmanship for 12 months from the date of shipment, or 5,000 hours, whichever comes first.



North America
Toll Free: 844 810 LITE (5483)

Outside North America
Toll Free: 800 000 LITE (5483)

China
Toll Free: 400 120 LITE (5483)

© 2015 Lumentum Operations LLC
Product specifications and descriptions in this document are subject to change without notice.