

CL Product Line

UV Excimer CL-7500 laser series

Key features

- Narrow linewidth excimer laser
- MOPA design - Master Oscillator & Power Amplifier
- Wavelength tuning
- Built-in Energy monitor
- Energy stabilization



Optromix CL-7500 is a narrow linewidth excimer laser with 193 nm and 248 nm wavelengths options. Our excimer laser has a special MOPA design, which means that its configuration includes master oscillator and power amplifier. Moreover, one of the key features of this laser is tunable wavelength, which enables excimer laser to perform outstandingly well certain applications. In particular, laser-induced fluorescence spectroscopy and processing material with high spatial resolution.

Applications

- Spectroscopy
- Material processing
- Micromarking
- Laser spraying
- DUV Lithography

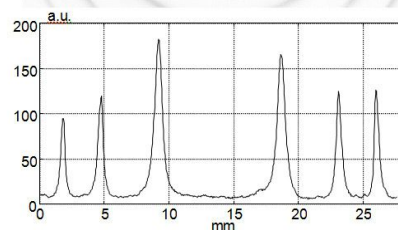
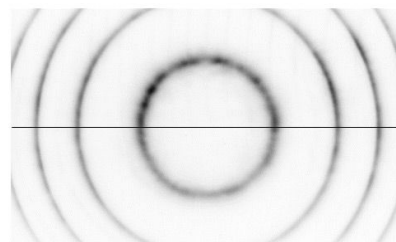
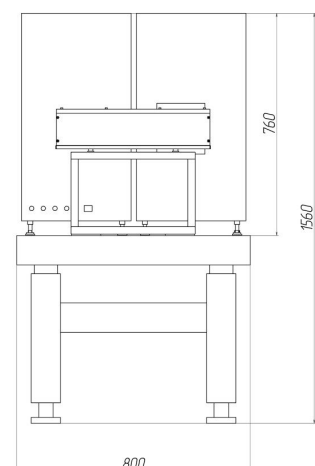
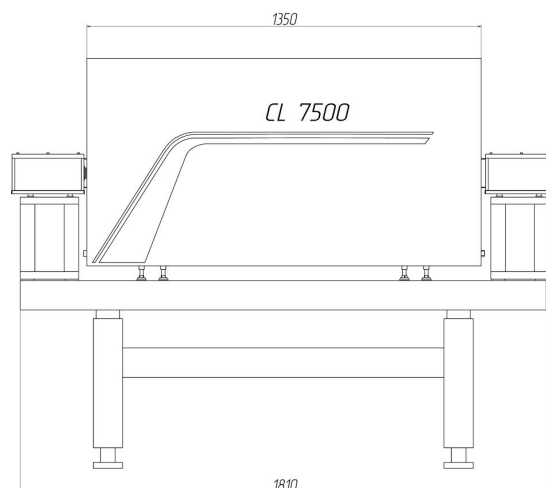


Image from Fabri-Perot interferometer. Base of etalon 3 mm, $\Delta\lambda < 3$ pm

CL-7500 series specification

Parameter		Value	
Gas mixture		ArF	KrF
Wavelength		193 nm	248 nm
Nominal Pulse Energy		100 mJ	250 mJ
Linewidth		< 3 pm	
Max. repetition rate	CL-7520	20 Hz	
	CL-7550	50 Hz	
Pulse duration		20 ns	
Pulse energy stability		sigma < 2%	
Beam size (V * H)		20 mm x 6 mm	
Beam Divergence (V * H)		< 0.2 mrad	
Spatial coherence		> 5 mm	
Temporal coherence		> 10 mm	
Time jitter		< 2 ns	
Gas		1 premix cylinder	
Cooling		water < 3 liter/min	
Control interface		RS-232 (Windows)	
Power consumption		380/220 - 240 V, 50 - 60 Hz, 7 kW	
Dimensions (W x H x L)		800 x760 x 1810 mm	
Weight		200 kg	

Warranty: 1 year



Information in this document is a subject to change without notice.