



GIG VISION **GEN<i>i>CAM**



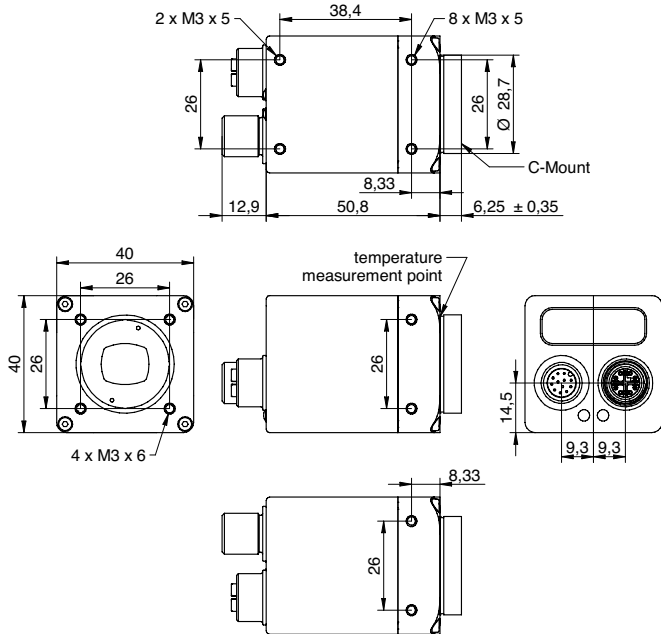
sensor information		mechanical data	
sensor	Sony IMX273	depth	50,8 mm
resolution	1440 × 1080 px	weight	≤ 137 g
exposure time	0,001 ... 60000 ms	material	aluminum, hard-anodized
pixel size	3.45 × 3.45 μm	electrical data	
shutter type	Global shutter	voltage supply	12 ... 24 V DC (external power supply)
sensor type	1/2.9" CMOS	range +Vs	36 ... 57 V DC (Power over Ethernet)
acquisition formats		power consumption	approx. 2,4 W @ 12 VDC and 79 fps approx. 3,0 W @ 48 VDC (PoE) and 79 fps
image formats, interface	Full Frame, 1440 × 1080 px, max. 79 fps	non-volatile memory	
frame rate max.	Binning 2×2, 720 × 540 px, max. 120 fps Binning 2×1, 720 × 1080 px, max. 120 fps Binning 1×2, 720 × 540 px, max. 120 fps	flash memory size	128 kB
image formats, acquisition	Full Frame, 1440 × 1080 px, max. 121 fps	environmental conditions	
frame rate max. (Burst Mode)		operating temperature	0 ... +65 ° @ T = measurement point
pixel formats	Mono8 Mono10 Mono12 Mono12 Packed	humidity	10 ... 90 % (non-condensing)
image preprocessing		protection class	IP 40 IP 65/67 (with mounted tube and cable) IP 69K (with stainless steel housing accessory)
analog controls	Gain (0 ... 18 dB) Offset (0 ... 63 LSB 10 Bit)	digital I/Os	
color models	Mono	lines	4 input lines 4 output lines with pulse width modulation (PWM) (max. 48 V / max. 2,5 A)
interfaces and connectors		conformity	
data interface	Gigabit Ethernet, Transfer rate 1000 Mb/s/sec, Fast Ethernet, Transfer rate 100 Mb/s/sec, Connector: M12 / 8 pol x-coded, screwable type	conformity	CE RoHS
process interface	M12 / 12 pins a-coded (SACC-CI-M12MS-12CON-L180)		
power supply	M12 /12 pins oder PoE		
mechanical data			
lens mount	C-mount		
width	40 mm		
height	40 mm		

VCXG-15M.I

Gigabit Ethernet, 1,5 Megapixel, Monochrome

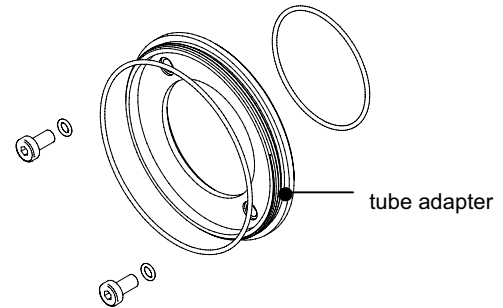
Article number: 11194318

dimension drawing



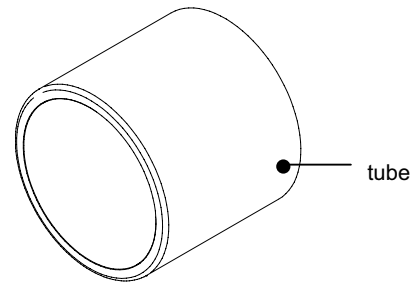
schematic diagram

Optional accessories for protection class IP65/67:



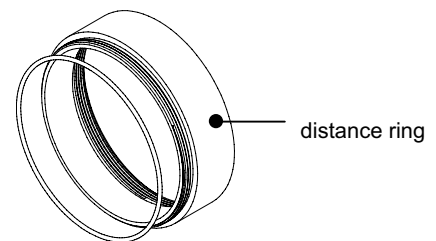
tube adapter

- Ø 49,5 mm, hard-anodized, incl. sealing and screws (VCXG.I 11185373)
- Ø 65 mm, hard-anodized, incl. sealing and screws (VCXG.I 11185377; VLXT 11193125)



tube

- Ø 49,5 mm, length 44 mm, hard-anodized, cover glass PMMA (11185370)
- Ø 65 mm, length 58 mm, hard-anodized, cover glass PMMA (11185374)
- Ø 49,5 mm, length 44 mm, hard-anodized, tempered laminated safety glass (11195425)
- Ø 65 mm, length 58 mm, hard-anodized, tempered laminated safety glass (11195426)



distance ring

- Ø 49,5 mm, length 12 mm, hard-anodized, incl. sealing (11185371)
- Ø 49,5 mm, length 6 mm, hard-anodized, incl. sealing (11185372)
- Ø 65 mm, length 12 mm, hard-anodized, incl. sealing (11185375)
- Ø 65 mm, length 6 mm, hard-anodized, incl. sealing (11185376)
- Ø 65 mm, length 36 mm, hard-anodized, incl. sealing (111988906)