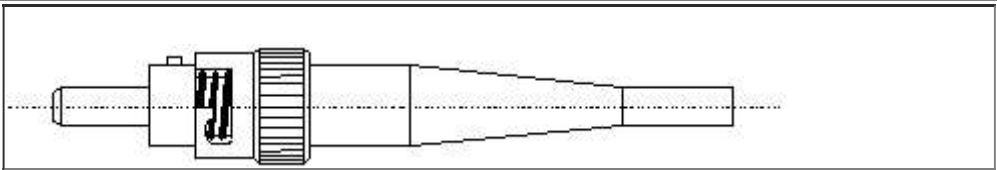


PT Fiberoptics, Inc.

Fiber Optic Connectivity Products Manufacturer

OPTICAL CONNECTORS

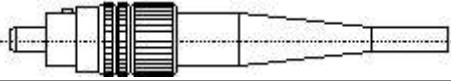
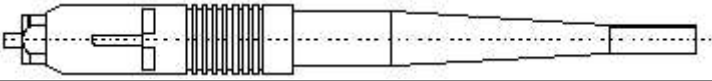
[Watch Photo Gallery](#)

TERMINATING PLUGS		
STYLE	ST Series	
PRODUCT CODE	ST - 125 - MM	ST - 125 - SM
APPLICATION	Multimode Datacom, LAN	Singlemode Telecom, Datacom
COUPLING STYLE	Bayonet lock, keyed	
MATERIAL	Ferrule: ceramic Body: metal Boot: plastic	Ferrule: ceramic Body: metal Boot: plastic
ABUTTMENT	Pre-radius, physical contact, spring loaded ferrule	
FIBER COMPATIBILITY	MM 125um cladding (example: 50/125, 62.5/125)	SM 125um cladding (example: 9.5/125)
CABLE COMPATIBILITY	Interconnect cable OD 3 mm Buffered fiber OD 900um version available	
TERMINATION METHOD	Epoxy-Crimp-Polish	
RECOMMENDED POLISH	Hand or machine	PC: Hand or machine Super PC: machine
BODY DESIGN	One piece for easy assembly	
OPTICAL PERFORMANCE	Insertion loss < .2 dB typ < .3 dB max	Insertion loss < .2 dB typ < .3 dB max Return loss PC < -30 dB Super PC < -40 dB Ultra PC < -50 dB



OPTICAL CONNECTORS(Cont.)

[Watch Photo Gallery](#)

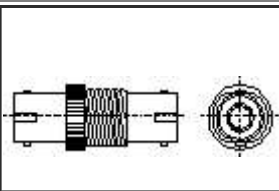
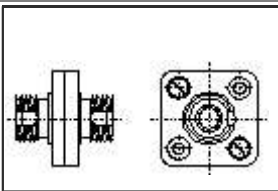
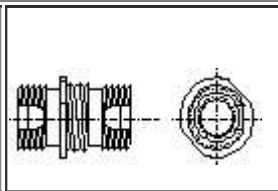
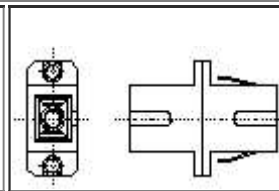
			
FC Series		SC Series	
FC/PC - 125 - SM FC/APC - 125 - SM		SC - 125 - MM	SC - 125 - SM SC/APC - 125 - SM
Primarily Singlemode; MM Telecom, Datacom		Multimode Datacom, LAN	Singlemode Telecom, Datacom
Threaded M8x.75, keyed		Bayonet lock, keyed	
Ferrule: ceramic (APC: tip 8°) Body: metal Boot: plastic		Ferrule: ceramic (APC: tip 8°) Body: plastic Boot: plastic	
Pre-radius, physical contact, full floating ferrule, non-disconnect design		Pre-radius, physical contact, full floating ferrule, non-disconnect design	
SM 125um cladding (example: 9.5/125)		MM 125um cladding (example: 50/125, 62.5/125)	SM 125um cladding (example: 9.5/125)
Interconnect cable OD 3 mm Buffered fiber OD 900um version available			
Epoxy-Crimp-Polish			
PC: Hand or machine Super PC, Ultra PC, APC: machine		Hand or machine	PC: Hand or machine Super PC, Ultra PC, APC: machine
Easy assembly		Easy assembly Clip for a duplex SC connector is available: P/N CLIP	
Insertion loss < .2 dB typ < .3 dB max Return loss PC < -30 dB Super PC < -40 dB Ultra PC < -50 dB Angle PC < - 65 dB		Insertion loss < .2 dB typ < .3 dB max	Insertion loss < .2 dB typ < .3 dB max Return loss PC < -30 dB Super PC < -40 dB Ultra PC < -50 dB Angle PC < - 65 dB



MATING ADAPTERS

SIMPLEX

[Watch Photo Gallery](#)

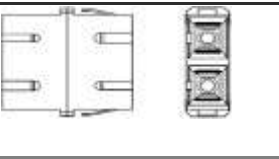
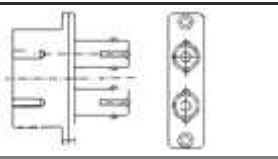
BULKHEAD TYPE				
STYLE	ST Series	FC Series		SC Series
PRODUCT CODE	ST-A X	FC-AS	FC-D-AS	SC -A X
APPLICATION	Primarily MM; SM Panel & in-line adapter	Primarily SM; MM	Primarily SM; MM Distribution panels	MM; SM Panel & in-line adapter
HOUSING TYPE	Threaded	Square flange	"D" hole mount	SC Flange
MATERIAL	Split sleeve: X = M metal MM X = S ceramic SM Body: plastic	Split sleeve: ceramic Body: metal		Split sleeve: X = M metal MM X = S ceramic SM Body: plastic



MATING ADAPTERS

DUPLEX

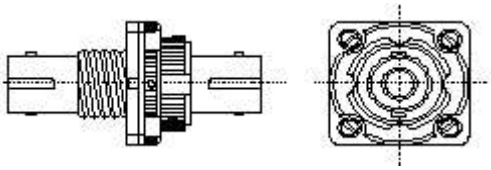
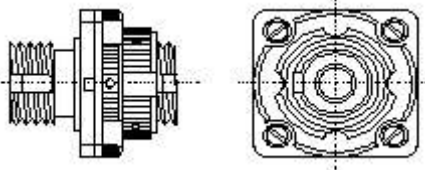
[Watch Photo Gallery](#)

BULKHEAD TYPE		
STYLE	SC Duplex	SC - to - ST Duplex
PRODUCT CODE	SC - D - A X	SC - ST - D - A X
APPLICATION	MM; SM Duplex panel adapter	MM; SM; Hybrid duplex panel adapter
HOUSING TYPE	SC Flange	SC Flange; two rivets hold semi-housings together
MATERIAL	Split sleeve: X = M metal MM X = S ceramic SM Body: plastic	Split sleeve: X = M bronze MM X = S ceramic SM Body: metal



VARIABLE ATTENUATORS

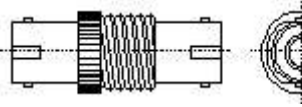
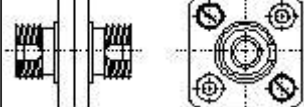
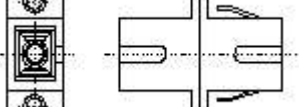
[Watch Photo Gallery](#)

PANEL MOUNT, AIR GAP, BULKHEAD MATING ADAPTER TYPE		
PRODUCT CODE	ST Var Att	FC Var Att FC/APC Var Att
ATTENUATION RANGE	MM: through 15 dB	SM: through 20 dB
MATERIAL	Split sleeve: bronze Body: nickel plated brass	Split sleeve: ceramic Body: nickel plated brass
APPLICATION	Distribution panels, in-line attenuator	
ADJUSTMENT: OPTICAL MONITORING	Easy to Adjust by Hand; Locking feature; Optical monitoring performed with a power meter, OTDR	
VARIABLE PACH-CORD TYPE ATTENUATORS	<i>Low reflectance (<-65dB) patch-cord type attenuators based on a bulkhead variable attenuator may be built by loading it with two APC cable assemblies</i>	



FIXED ADAPTER TYPE ATTENUATORS

[Watch Photo Gallery](#)

AIR-GAP, BULKHEAD TYPE			
PRODUCT CODE	ST - XdB	FC - XdB	SC - XdB
ATTENUATION	SM: X = 5; 10; 15 @ 1300 nm		
HOUSING TYPE	Threaded	Square flange	SC Flange



BARE FIBER ADAPTERS

[Watch Photo Gallery](#)

TENTATIVE PLUGS			
PRODUCT CODE	B-ST-125	B-FC-125	B-SC-125
APPLICATION	Optical testing, repairs		
MATERIAL	Ferrule: ceramic Body: metal		Ferrule: ceramic Body: ightweight metal & plastic
FIBER COMPATIBILITY	MM 127um cladding & SM	SM 125um cladding	MM 127um cladding & SM
FIBER BUFFER/COATING	Diameter 0.25 mm through 1 mm		
OPTICAL LOSS	< 1 dB against a standard connector of the respective style		



FEMALE TO MALE ADAPTERS and ATTENUATORS

[Watch Photo Gallery](#)

STANDARD FM ATTENUATOR		
PRODUCT CODE	FM - FC - Y - XdB	FM - ST - Y - XdB
HYBRID FM ADAPTER, ATTENUATOR		
PRODUCT CODE	FM - ST - FC - Y - XdB	FM - FC - ST - Y - XdB
APPLICATION	FM Adapter: optical port saver. Attenuator: suppressor of excessive optical power in fiber links.	
FIBER TYPE	Y= A: 9.5/125 (FM Attenuator standard) B: 50/125 (adapter, upon request) C: 62.5/125 (adapter, upon request)	
ATTENUATION PRINCIPLE	Dissipation of light propagating through a stub of metal ion doped fiber	
ATTENUATION VALUES	X= 0 (in FM Adapter); 5; 10; 15; 20 @ 1310 1550 nm Accuracy 15%	

INSERTION LOSS



< .3 dB typ

< 1.0 dB max



CABLE ASSEMBLIES

(available from authorized jumper houses)

STANDARD PATCHCORD	
PRODUCT CODE	X - Y - Z _m
HYBRID PATCHCORD	
PRODUCT CODE	X1 - X2 - Y - Z _m
CONNECTOR STYLE	X = ST: ST FC/PC: FC/Super PC FC/APC: FC/Angle PC SC: SC/Super PC SC/APC: SC/Angle PC
CABLE TYPE	Y = A: 9.5/125 simplex SM cable OD 3 MM B: 50/125 simplex MM cable OD 3 MM C: 62.5/125 simplex MM cable OD 3 MM AA: 9.5/125 zipcord duplex SM BB: 50/125 zipcord duplex MM CC: 62.5/125 zipcord duplex MM
CABLE LENGTH	typ example Z = 3: 3 m (10 ft)

PURCHASE ORDER

**CUSTOMER
FAST REPLY**

**COMPANY &
CONTACTS**

**CURRENT
PRICING**

HOME

