

# STELLAR-PRO ML/150

## All-In-One Air-Cooled Argon Laser System

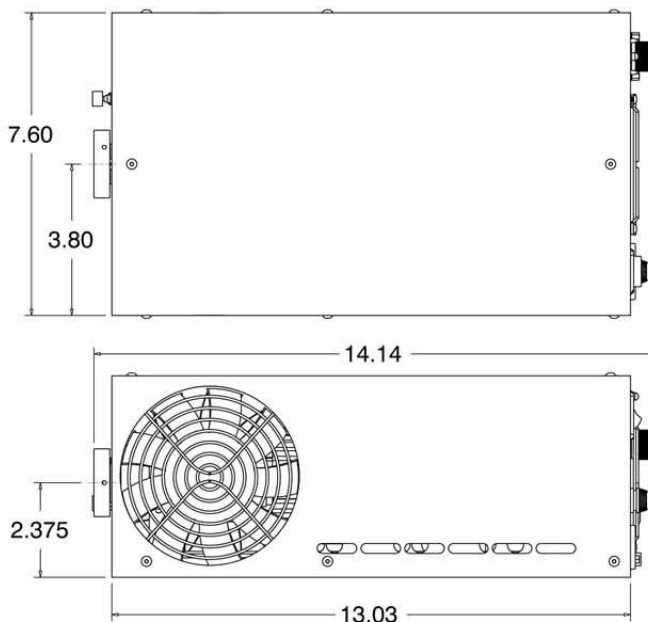
With its hard-sealed laser tube and state-of-the-art power supply both combined into a single package, the Stellar-Pro ML/150 laser offers the smallest footprint available in its class. The high output power to size ratio, coupled with exceptional performance, makes the Stellar-Pro ideal for many applications.



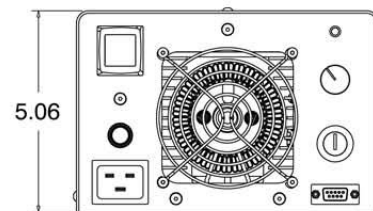
## Specifications

|                                    |                               |
|------------------------------------|-------------------------------|
| Wavelength Range                   | 457.9nm - 514.5nm             |
| Maximum Output Power (Total)       | 150mW                         |
| Beam Mode                          | TEM <sub>00</sub>             |
| Beam Diameter (1/e <sup>2</sup> )  | 0.65mm                        |
| Beam Divergence                    | 0.95mrad                      |
| Beam Pointing Stability            | <30 $\mu$ rad                 |
| Output Power Drift (after warm up) | < +/- 1%                      |
| Beam Amplitude Noise               | <1% RMS                       |
| Polarization Ratio                 | >250:1                        |
| Warm-Up Time                       | 5 Minutes                     |
| Line Voltage / Line Frequency      | 100VAC - 265VAC / 50Hz - 60Hz |
| Power Consumption                  | <1500 Watts                   |
| Weight (lbs / Kg)                  | 14lbs / 6.4Kg (approx.)       |

## Dimensions



All Dimensions are in Inches



## Modu-Laser, LLC

1258 W. 50 S., Centerville, Utah 84014  
Phone: 801-983-2682 Fax: 801-299-2682

e-mail: [info@modu-laser.com](mailto:info@modu-laser.com) web: [www.modu-laser.com](http://www.modu-laser.com)

Specifications are subject to change without notice.

