

STELLAR-PRO 488/50

All-In-One Air-Cooled Argon Laser System

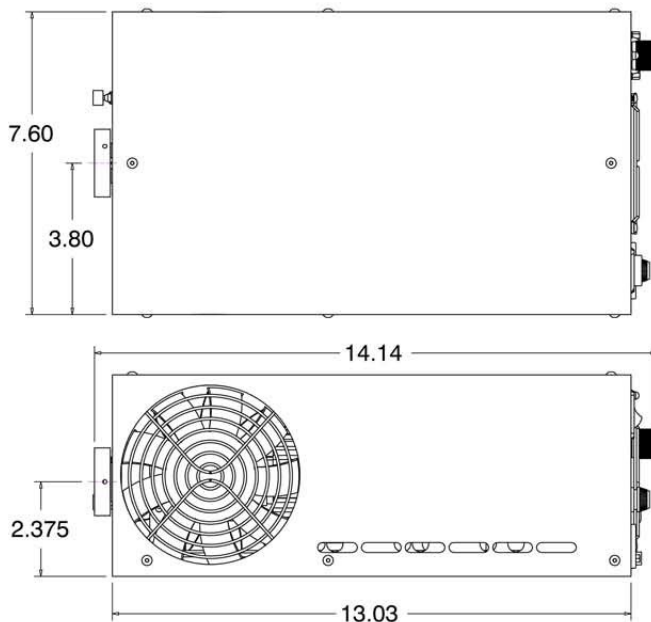
With its hard-sealed laser tube and state-of-the-art power supply both combined into a single package, the Stellar-Pro 488/50 laser offers the smallest footprint available in its class. The high output power to size ratio, coupled with exceptional performance, makes the Stellar-Pro ideal for many applications.



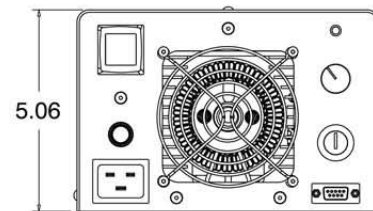
Specifications

Wavelength (Single Line)	488nm
Maximum Output Power	50mW
Beam Mode	TEM ₀₀
Beam Diameter (1/e ²)	0.65mm
Beam Divergence	0.95mrad
Beam Pointing Stability	<30 μ rad
Output Power Drift (after warm up)	< +/- 1%
Beam Amplitude Noise	<1% RMS
Polarization Ratio	>250:1
Warm-Up Time	5 Minutes
Line Voltage / Line Frequency	100VAC - 265VAC / 50Hz - 60Hz
Power Consumption	<1500 Watts
Weight (lbs / Kg)	14lbs / 6.4Kg (approx.)

Dimensions



All Dimensions are in Inches



Modu-Laser, LLC

1258 W. 50 S., Centerville, Utah 84014

Phone: 801-983-2682 Fax: 801-299-2682

e-mail: info@modu-laser.com web: www.modu-laser.com

Specifications are subject to change without notice.

