



AO-W-266 /1~20μJ/1~200mW



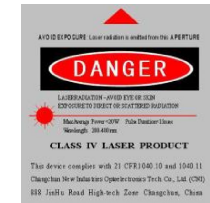
**LD PUMPED ALL-SOLID-STATE
UV AOM Q-SWITCHED LASER**

All solid state AOM Q-switched laser at 266 nm has the features of high peak power, high repetition rate, and short pulse duration, which is widely used in marking, carving, measure, research and so on.

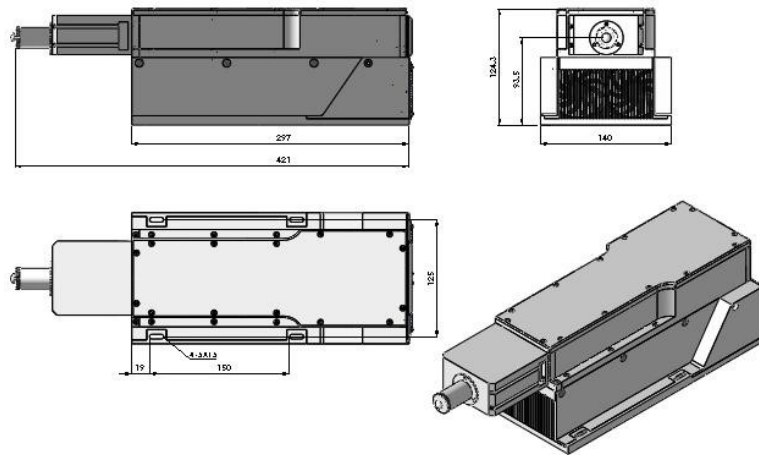


SPECIFICATIONS

Wavelength (nm)	266±1
Operating mode	Acousto-Optics Q-switched
Average power (W)	1~200mW (200mW@10kHz) Average power (W) = Single pulse energy (mJ) * Rep. rate (kHz)
Single pulse energy(μJ)	1~20 (20μJ @10kHz; 5μJ @20kHz)
Rep. rate (kHz)	1~50
Pulse duration (ns)	Typically 10~15 @<10kHz, varies from power and repetition.
Peak power (W)	0.5~2 (2W@10kHz)
Ave power stability (over 4 hours)	<5%, <10%
Warm-up time (minutes)	<10
Beam divergence, full angle (mrad)	<3.5
Beam diameter at the aperture (1/e ² , mm)	~2.0
Beam height from base plate (mm)	93.5
Cooled method	Air cooled
Operating temperature (°C)	15~30
Power supply (220/110VAC)	PSU-AOM
Expected lifetime (hours)	5000
Warranty period	1 year

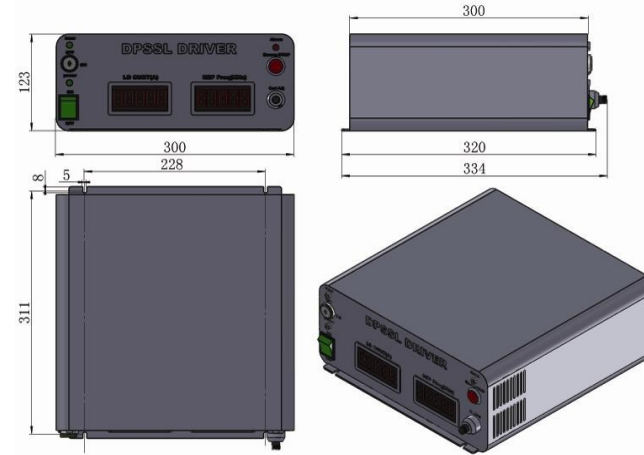


AO-W-266



421 (L) ×140(W) ×124.3(H) mm³, 6.0 kg

PSU-AOM



334(L) ×300(W) ×123 (H) mm³, 6.8 kg