

9xxnm Fiber Coupled Diode Laser System

DS3-51512-xxx-LDNo.



Features:

- ◆ 915nm/980nm wavelength
- ◆ 60W~200W output power
- ◆ 105/135 μ m core diameter
- ◆ 0.22NA

Applications:

- ◆ Plastic welding
- ◆ Welding
- ◆ Soldering

BWT provides a complete set of diode laser system solutions suitable for material processing, medical therapeutics and pumping solid-state laser media. The system makes it easier to develop new applications by outputting up to 200W diode laser to 4~400 μ m optical fibers.

The system provides a flexible and easy-to-use interface. The system can control the operating temperature, current, repetition frequency and pulse width of diode laser by touch screen, RS232 interface and I/O interface.

At BWT, to provide high quality products with reasonable price is our always goal.

9xxnm Fiber Coupled Diode Laser System

DS3-51512-xxx-LDNo.

Specifications (25°C)		Unit	DS3-51512-xxx-LD		
Optical Data ⁽¹⁾	CW Output Power	W	60W	150W	200W
	Center wavelength	nm	915/980		
	Spectral width(FWHM)	nm	±10		
	Wavelength shift with temperature	nm	≤3		
	Output power instability (25°C)	%	±3 (2 hours)		
	Power Range	%	10-100		
Fiber Data ⁽¹⁾	Core diameter	μm	105	105	135
	Numeric aperture	-	0.22		
	Fiber length	m	1~5		
	Fiber termination	-	SMA905		
Electrical Data	Power supply	V	100~240/200~240 (50-60Hz)		
	Power consumption	W	<1200		
	Drive mode	-	Constant current		
	Emission mode	-	CW or Modulated 1 Hz in 20kHz,		
	Control mode	-	Touch screen, RS232, I/O		
	Modulation frequency	Hz	1~20k		
	Modulation Pulse Width	-	20μs~950ms(Pulse)/20μs~999ms(Single Pulse)		
	Modulation Rise/Fall Time (Min. Value)	μs	≤10		
	Operation temperature ⁽²⁾	°C	20~35		
Current	A	<15			
Aiming Beam Data ⁽³⁾	Center wavelength	nm	635±10nm		
	CW Output Power	mW	2		
Mechanical Parameters	Dimensions (L×W×H)	mm ³	387×377.4×145		
	Weight	kg	<15		
Others	Cooling method	-	Air cooling/Water-cooling		
	Storage temperature ⁽⁴⁾	°C	5~50		
	Temperature Ambient in Operation	°C	15~30		
	Cooling requirement	-	Internal fan, At least 10 cm space outside fan		
	Relative Humidity	%	5~80		
	Protection rating	-	IP54		
	Safety class	-	4 (EN 60825-01)		

(1) Consult BWT for other available options.

(2) Operating temperature defined by the package case. Acceptable operating range is 25°C~30°C, but performance may vary.

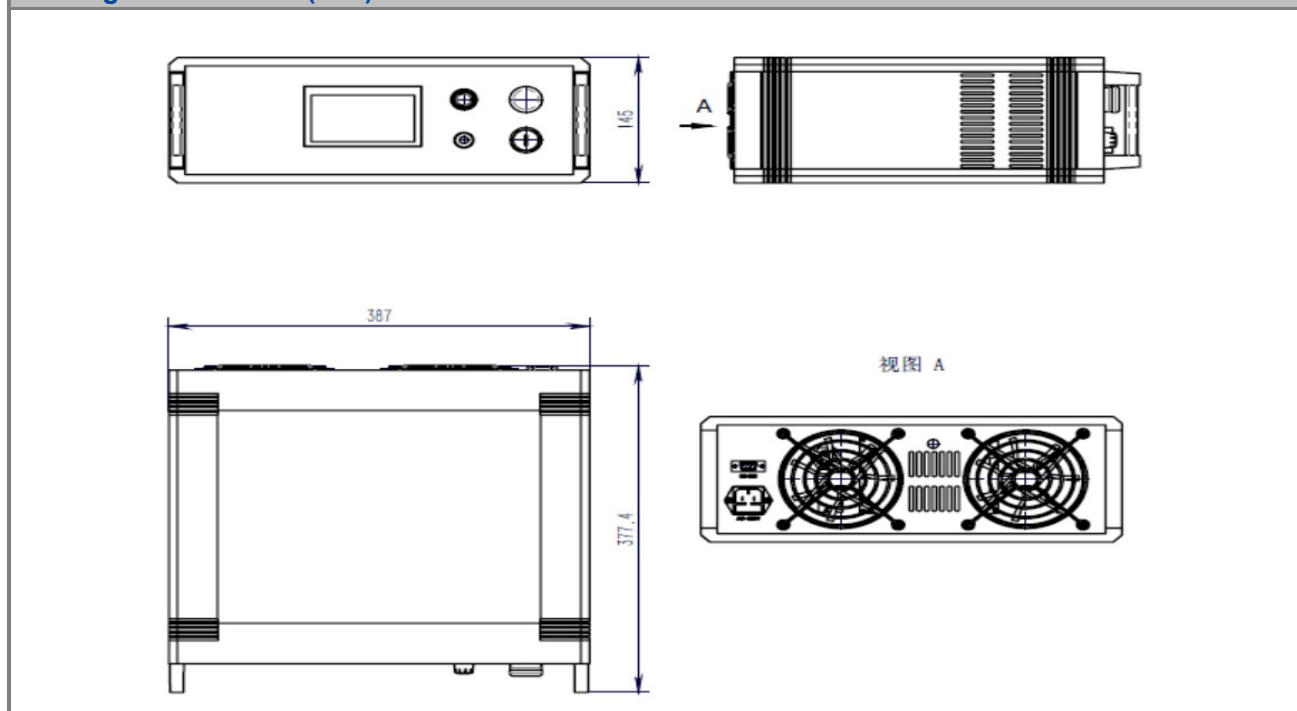
(3) The aiming beam can be customized according to customer requirements.

(4) A non-condensing environment is required for operation and storage.

9xxnm Fiber Coupled Diode Laser System

DS3-51512-xxx-LDNo.

Package Dimensions (mm)



OPERATING NOTES

- ◆ Avoid eye and skin exposure to direct radiation during operation.
- ◆ Make sure the fiber output end is properly cleaned before operation of laser. Follow safety protocols to avoid injury when handling and cutting the fiber.
- ◆ Laser diode must be used according to the specifications.
- ◆ Temperature Ambient in Operation ranges from 15°C to 35°C.
- ◆ Storage temperature ranges from -20°C to +70°C.



Declaration: information and specifications contained herein are deemed to be reliable and accurate. BWT Beijing reserves the right to change, alter or modify the design and specifications of these products at any time without notice. 19-1