

Fiber Coupled Acousto-Optic Modulator 780nm 100MHz

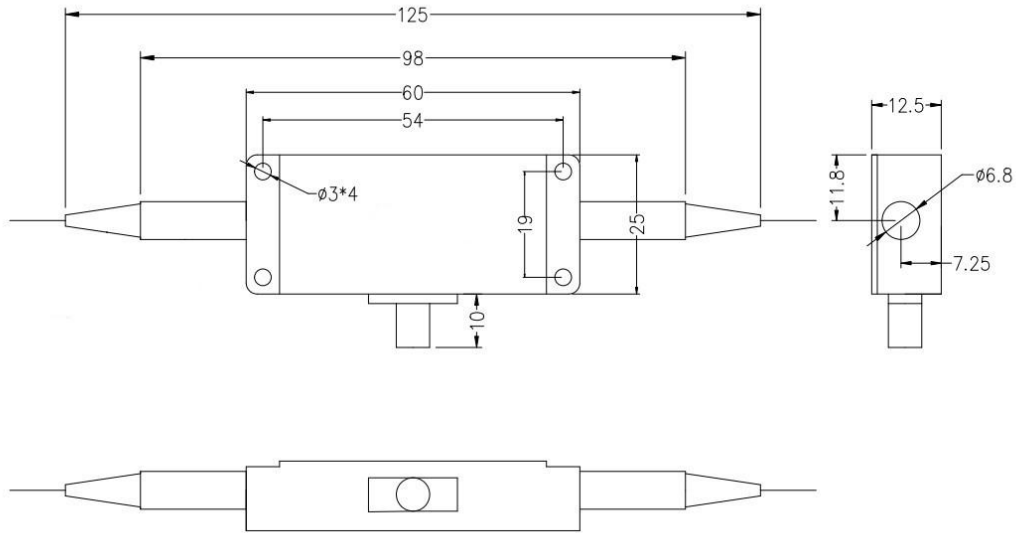
Part No.: AOM-780-100M-30-S-C1-PM780-1-1-1-N

◆ Specification

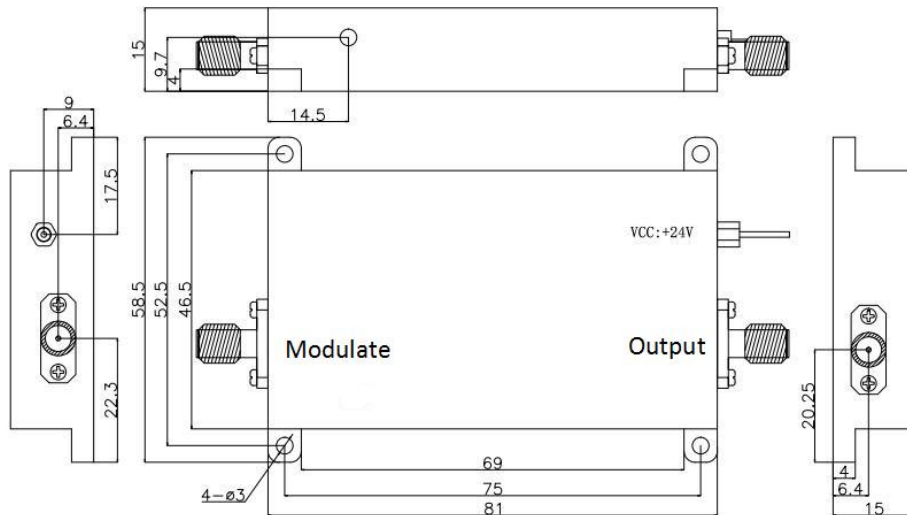
| Parameter | Unit | Min. | Max. | Typical |
|------------------------------------|--------------------|------|-------|-----------------------|
| Interaction Material | | - | - | Tellurium dioxide |
| Signal Wavelength (λ_c) | nm | 750 | 810 | 780 |
| Operating Wavelength Range | nm | - | - | ± 30 |
| Frequency | MHz | - | - | 100 |
| Ultrasonic Velocity | m/s | - | - | 4200 |
| Insertion Loss | dB | - | 3.0 | - |
| Extinction Ratio (Turn On / Off) | dB | 50 | - | - |
| Polarization Extinction Ratio | dB | 18 | 23 | 20 |
| Rise-Time/Fall-Time | ns | - | 60 | - |
| Return Loss | dB | 40 | - | - |
| Voltage Standing Wave Ratio (VSWR) | / | - | 1.2:1 | - |
| Average Optical Power | W | - | 3.0 | - |
| Peak Optical Power (Pulse) | kW | - | 3.0 | - |
| Input impedance | Ω | - | - | 50 |
| RF Power | W | - | - | 1.8 |
| Fiber Type | / | - | - | PM780 with 0.9um tube |
| Fiber Length | m | - | - | 1 ± 0.1 |
| Fiber Connector | / | - | - | NONE |
| Operating Temperature | $^{\circ}\text{C}$ | - | - | -20 ~ +60 |
| Storage Temperature | $^{\circ}\text{C}$ | - | - | -30 ~ +70 |

*IL is 0.2-0.3dB higher, RL is 5 dB lower, and ER is 2 dB lower for each connector added. Connector key is aligned to slow axis.

◆ AOM Package Dimensions



◆ RF Driver Package Dimensions



◆ Ordering Information

AOM-①-②-③-④-⑤-⑥-⑦-⑧-⑨-⑩

| 1-Signal Wavelength | 2-Frequency | 3-Handling Power | 4-Function | 5-Package Dimension |
|---------------------|----------------|--------------------------|------------------------|---------------------|
| 780-780nm | 200M-200MHz | 05-500mW | S-Frequency Shifting | C1-67*23*15 |
| 1550-1550nm | 100M-100 MHz | 10-1W | A-Amplitude Modulation | |
| 1310-1310nm | 80M-80MHz | 50-5W | | |
| 6-Fiber Type | 7-Fiber Length | 8-Fiber Jacket | 9-Jacket Length | 10-Connector |
| PM980-PM980 | 1-1M | 0-Bare Fiber | 1-1M | FU-FC/PC |
| PM1550-PM1550 | 1.5-1.5M | 1-900 μ m Loose Tube | S-Specify | FA-FC/APC |
| SMF28e- SMF28e | | | | S-specify |
| | | | | |