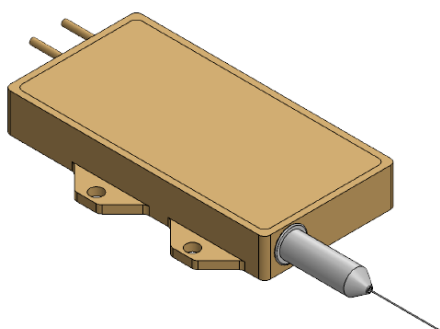


# Uncooled Multi-Mode Pump Laser Module

Data Sheet

CS0915P070A2



## Features

- Stability over high output power **70W**
- Precision alignment of multiple optics
- Isolated feedback protection
- 105/125  $\mu\text{m}$  fiber diameter
- 0.22 NA

## Electro-Optical Performance

Parameter	Symbol	70W			Unit
		Min.	Typ.	Max.	
Recommended Case Temperature	$T_c$	15	25	35	$^{\circ}\text{C}$
Threshold Current	$I_{th}$	-	0.7	-	A
Optical Power	$P_{op}$	-	70	-	W
Conversion efficiency	$\eta$	-	53	-	%
Center Wavelength (25 $^{\circ}\text{C}$ , Pop )	$\lambda_n$	905	915	925	nm
Spectral Width (FWHM )	$\lambda(\text{FWHM})$	-	4	-	nm
Operating Current (25 $^{\circ}\text{C}$ , Pop )	$I_{op}$	-	11.5	13	A
Forward Voltage	$V_f$	-	-	12	V
Wavelength Shift vs. Temperature	$\Delta\lambda/T$	-	0.32	-	nm/K
Back reflection isolation 1060-1100nm		30			dB

## Absolute Minimum/Maximum Ratings

Parameter	Symbol	70W		Unit
		Min.	Max.	
Reverse Voltage	$V_{rvs}$	-	17.5	V
Storage Temperature	$T_{stg}$	-20	70	$^{\circ}\text{C}$
Lead Soldering Temperature, 10sec(max)	$T_{is}$	-	260	$^{\circ}\text{C}$
Electrostatic Discharge (ESD)	$V_{esd}$	-	500	V
Fiber Bending Radius (Long term)	-	30	-	mm

## Fiber Pigtail Information

Parameter	Symbol	Min	Typ	Max	Unit
Fiber Core Diameter	$d_c$	-	105	-	$\mu\text{m}$
Fiber NA	NA	0.2	0.22	0.24	
Fiber Cladding Diameter	$d_{cl}$	-	125	-	$\mu\text{m}$
Buffer Diameter	$d_b$	230	245	260	$\mu\text{m}$
Fiber Length	$l_f$	0.9	1.0	-	m

## Ordering Information

CS0915P070A1 70W 915nm Multi-Mode Pump Laser Module With 0.15NA Fiber  
 CS0915P070A2 70W 915nm Multi-Mode Pump Laser Module With 0.22NA Fiber



All statements, technical information and recommendations related the products herein are based upon information believed to be reliable and accurate. However, the accuracy or completeness thereof is not guaranteed, and no responsibility is assumed for any inaccuracies. The user assumes all risks and liability whatsoever in connection with the use of a product or its application. Coset Inc. reserves the right to change at any time without notice the design, specifications, function, fit or form of its products described herein, including withdrawal at any time of a product offered for sales herein.

# Uncooled Multi-Mode Pump Laser Module

CS0915P070A2

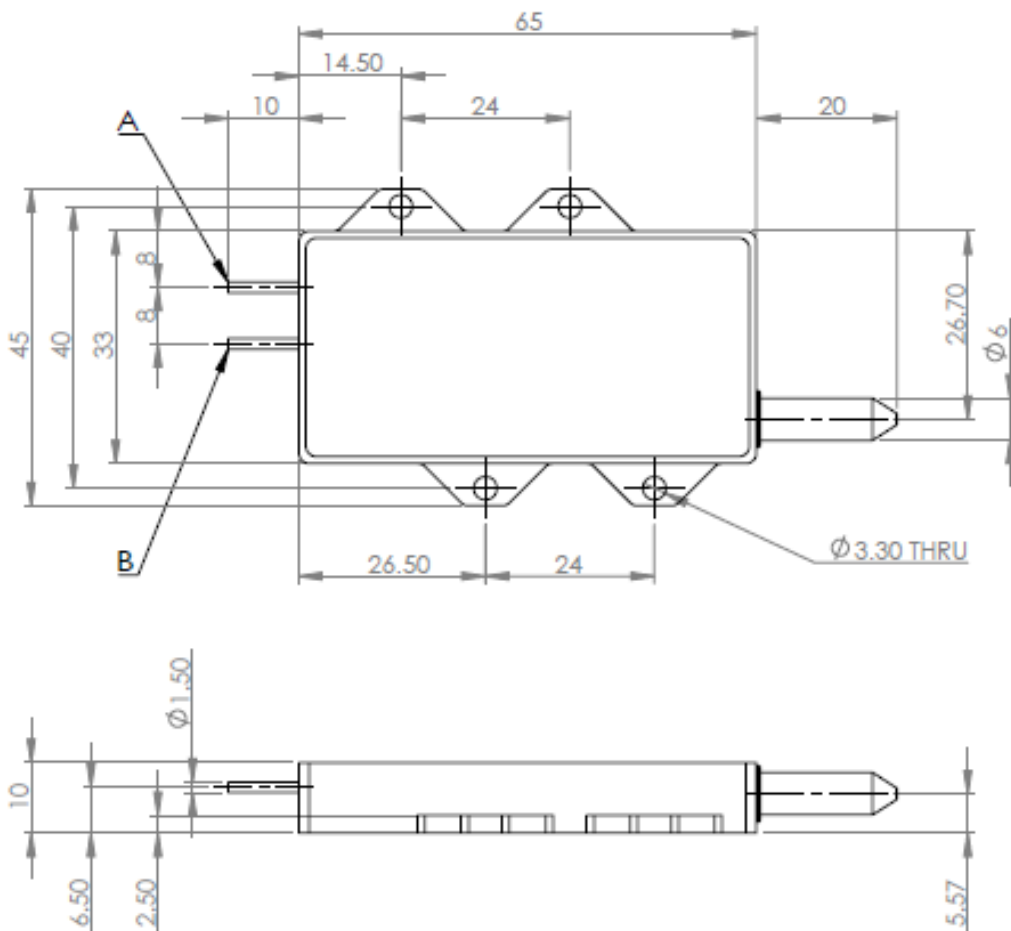
Data Sheet

## Dimension

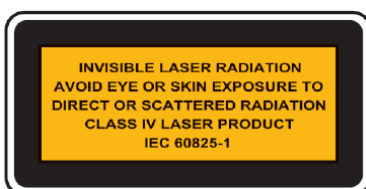
(specification in mm unless otherwise noted.)

### Pinout

Pin	Description
A	Laser cathode (-)
B	Laser anode (+)



## User Safety



CS Laser Limited Liability Partnership.  
 2<sup>nd</sup> Floor, Plot No. 28&29  
 Electronic Estate ITES/IT, SEZ  
 Gandhinagar, Gujarat, INDIA

For sales information, please contact  
[sales@coset.com](mailto:sales@coset.com)

Coset Inc.  
 39Cheomdan venture-ro,60Beon-gil,Buk-gu,  
 Gwangju, 61009, KOREA  
 Tel: +82-62-975-8882 Fax: +82-62-975-8889



All statements, technical information and recommendations related the products herein are based upon information believed to be reliable and accurate. However, the accuracy or completeness thereof is not guaranteed, and no responsibility is assumed for any inaccuracies. The user assumes all risks and liability whatsoever in connection with the use of a product or its application. Coset Inc. reserves the right to change at any time without notice the design, specifications, function, fit or form of its products described herein, including withdrawal at any time of a product offered for sales herein.