



Item No.: FC915DL700

Item Name: 700W 915nm Fiber Coupled Diode Laser

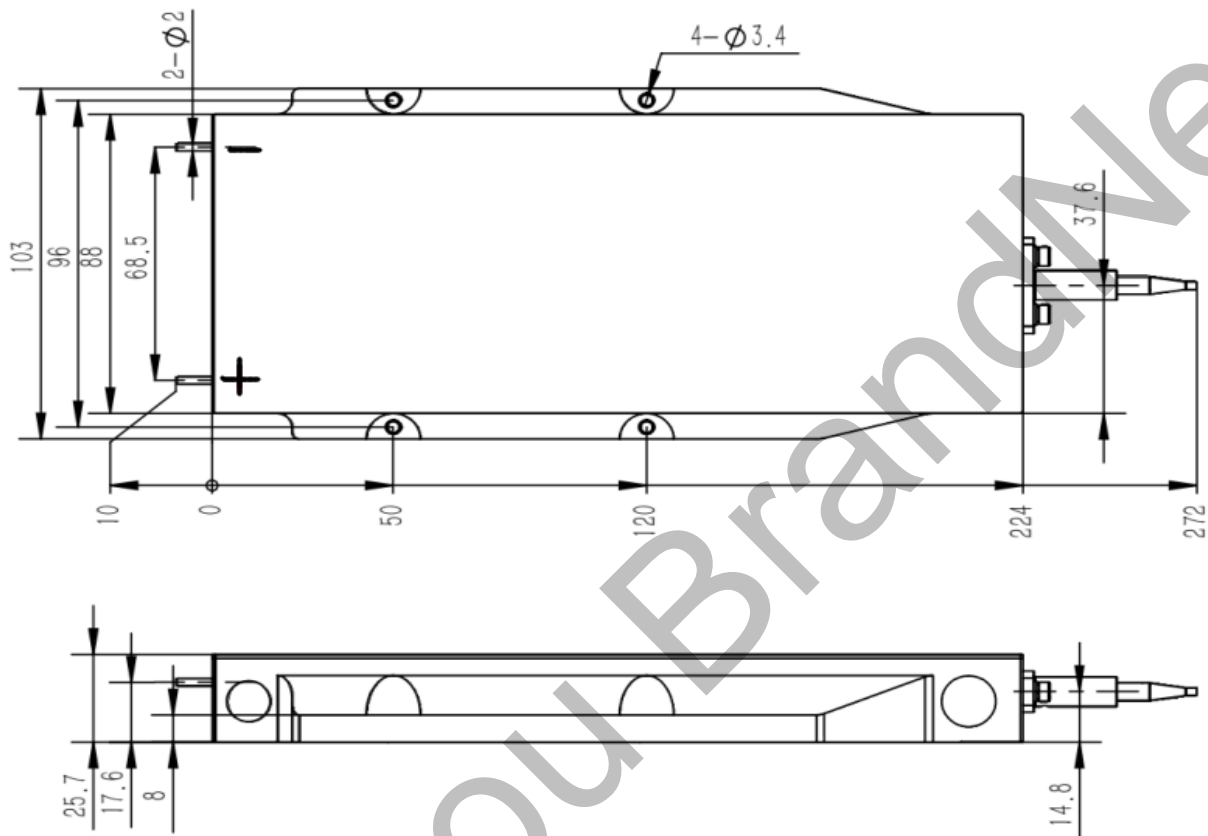
Optical	Typical Value
Center Wavelength $\lambda$	915nm
Wavelength Tolerance	$\pm 15$ nm
Output Power	700W

Fiber	
Fiber Core	200 $\mu$ m
Fiber Numerical Aperture	0.22NA
Fiber Length	1.5m
Fiber Connector	Bare end

Electrical	
Threshold Current $I_{th}$	1.1A
Operating Current $I_{op}$	27A
Operating Voltage $V_{op}$	62V

Thermal	
Operating Temperature	15~45 $^{\circ}$ C
Storage Temperature	-30~70 $^{\circ}$ C
Wavelength Temperature Coefficient	0.35nm/ $^{\circ}$ C

Package Drawing



Subject to change without notice

