



Item No.: FC976SM600

Item Name: 600mW 976nm Fiber Coupled Diode Laser

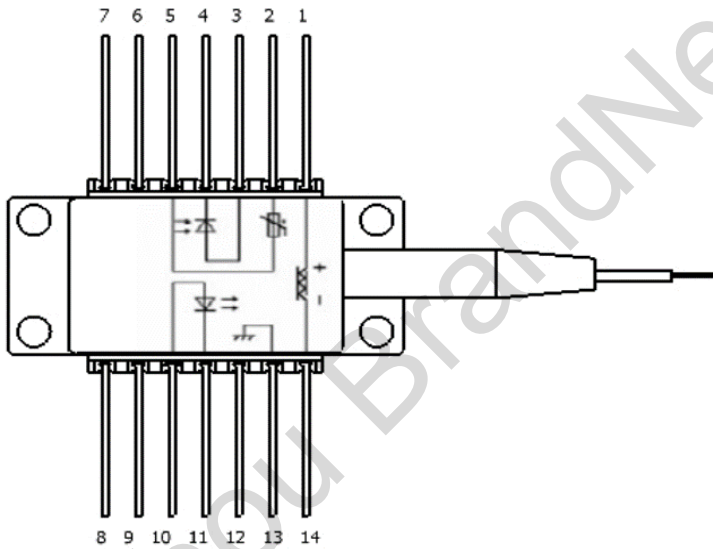
Optical	Typical Value
Center Wavelength $\lambda$	976nm
Wavelength Tolerance	$\pm 1$ nm
Output Power	600mW

Fiber	
Fiber	Hi1060
Fiber Length	>1m
Fiber Connector	FC/APC

Electrical	
Threshold Current $I_{th}$	90mA
Operating Current $I_{op}$	1000mA
Operating Voltage $V_{op}$	2.5V
TEC	Available
PD	Available
Thermistor	Available

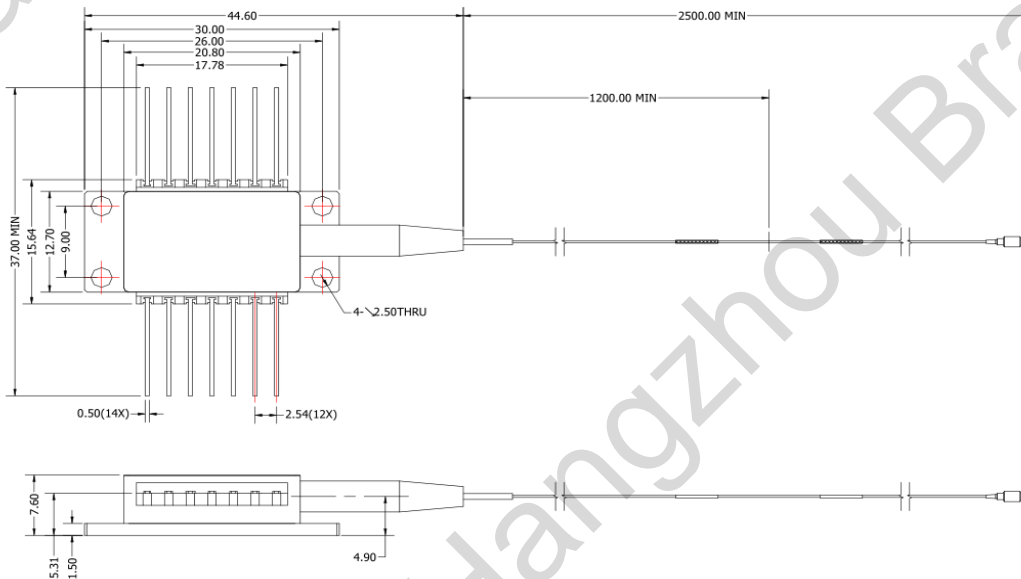
Thermal	
Test Temperature	25°C
Storage Temperature	-40~80°C

Package Drawing



PIN Description

- 1 TEC+
- 2 Thermistor
- 3 PD Anode
- 4 PD Cathode
- 5 Thermistor
- 6 N/A
- 7 N/A
- 8 N/A
- 9 N/A
- 10 LD+
- 11 LD-
- 12 N/A
- 13 Case Ground
- 14 TEC-



Subject to change without notice

