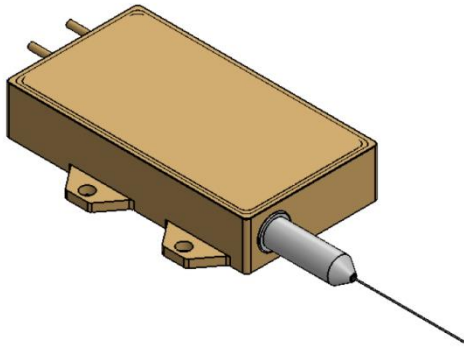


Uncooled Multi-Mode Pump Laser Module

Data Sheet

CS0915P050A2



Features

- Stability over high output power **50W**
- Precision alignment of multiple optics
- Isolated feedback protection
- 105/125 μm fiber diameter
- 0.22 NA

Electro-Optical Performance

Parameter	Symbol	50W			Unit
		Min.	Typ.	Max.	
Recommended Case Temperature	T_c	15	25	35	$^{\circ}\text{C}$
Threshold Current	I_{th}	-	0.7	-	A
Optical Power	P_{op}	-	50	-	W
Conversion efficiency	η	-	50	-	%
Center Wavelength (25 $^{\circ}\text{C}$, Pop)	λ_n	905	915	925	nm
Spectral Width (FWHM)	$\lambda(\text{FWHM})$	-	4	-	nm
Operating Current (25 $^{\circ}\text{C}$, Pop)	I_{op}	-	11	12	A
Forward Voltage	V_f	-	-	12	V
Wavelength Shift vs. Temperature	$\Delta\lambda/T$	-	0.32	-	nm/K
Back reflection isolation 1060-1100nm		30			dB

Absolute Minimum/Maximum Ratings

Parameter	Symbol	50W		Unit
		Min.	Max.	
Reverse Voltage	V_{rvs}	-	15.0	V
Storage Temperature	T_{stg}	-20	70	$^{\circ}\text{C}$
Lead Soldering Temperature, 10sec(max)	T_{is}	-	260	$^{\circ}\text{C}$
Electrostatic Discharge (ESD)	V_{esd}	-	500	V
Fiber Bending Radius (Long term)	-	30	-	mm

Fiber Pigtail Information

Parameter	Symbol	Min	Typ	Max	Unit
Fiber Core Diameter	d_c	-	105	-	μm
Fiber NA	NA	0.2	0.22	0.24	
Fiber Cladding Diameter	d_{cl}	-	125	-	μm
Buffer Diameter	d_b	230	245	260	μm
Fiber Length	l_f	0.9	1.0	-	m

Ordering Information

CS0915P050A1 50W 915nm Multi-Mode Pump Laser Module With 0.15NA Fiber
 CS0915P050A2 50W 915nm Multi-Mode Pump Laser Module With 0.22NA Fiber



All statements, technical information and recommendations related the products herein are based upon information believed to be reliable and accurate. However, the accuracy or completeness thereof is not guaranteed, and no responsibility is assumed for any inaccuracies. The user assumes all risks and liability whatsoever in connection with the use of a product or its application. Coset Inc. reserves the right to change at any time without notice the design, specifications, function, fit or form of its products described herein, including withdrawal at any time of a product offered for sales herein.

Uncooled Multi-Mode Pump Laser Module

CS0915P050A2

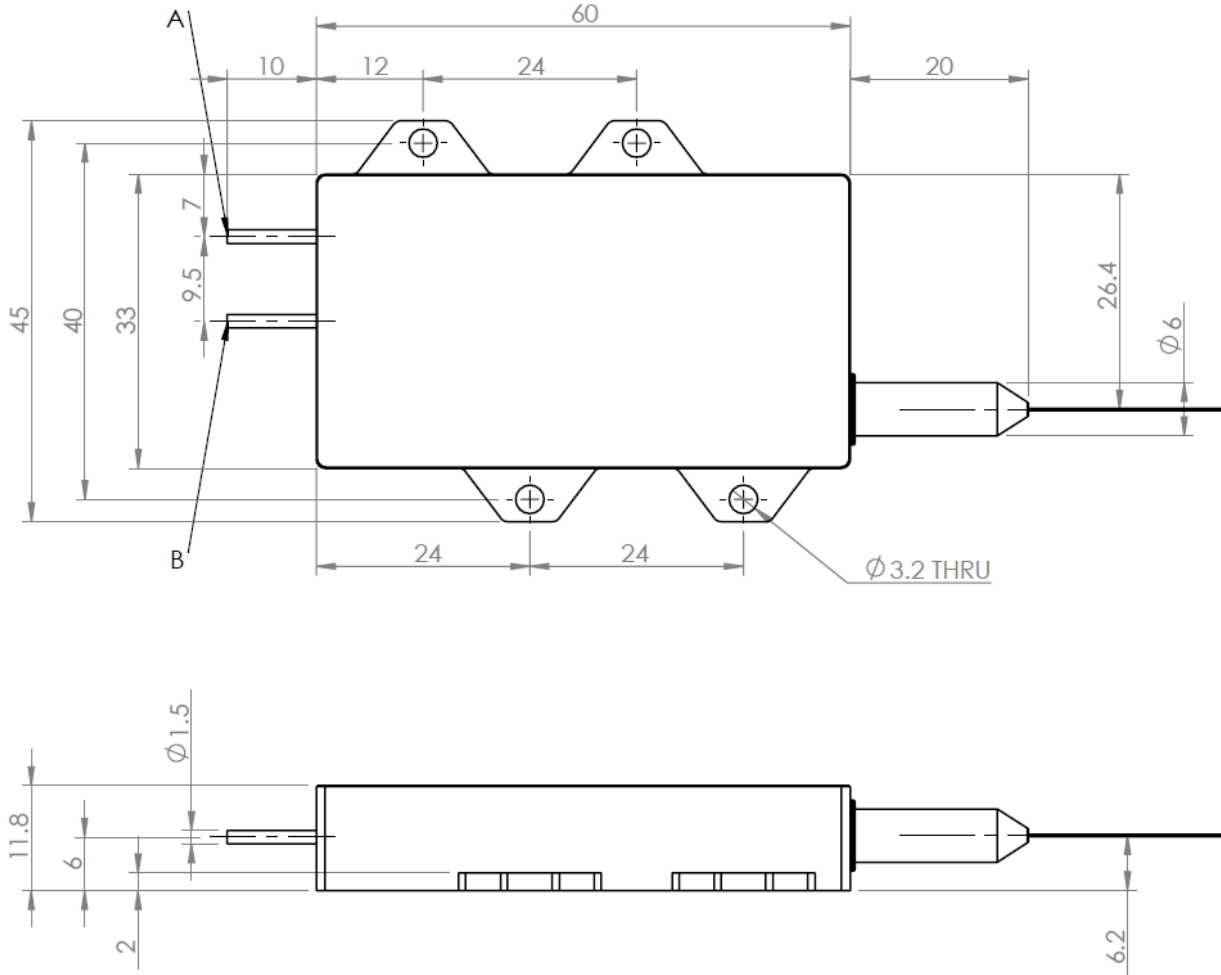
Data Sheet

Dimension

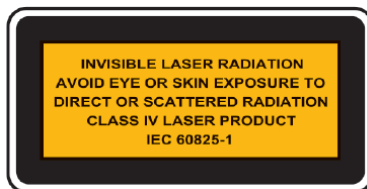
(specification in mm unless otherwise noted.)

Pinout

Pin	Description
A	Laser cathode (-)
B	Laser anode (+)



User Safety



CS Laser Limited Liability Partnership.

2nd Floor, Plot No. 28&29
 Electronic Estate ITES/IT, SEZ
 Gandhinagar, Gujarat, INDIA

For sales information, please contact

sales@coset.com

Coset Inc.
 39Cheomdan venture-ro,60Beon-gil,Buk-gu,
 Gwangju, 61009, KOREA
 Tel: +82-62-975-8882 Fax: +82-62-975-8889



All statements, technical information and recommendations related the products herein are based upon information believed to be reliable and accurate. However, the accuracy or completeness thereof is not guaranteed, and no responsibility is assumed for any inaccuracies. The user assumes all risks and liability whatsoever in connection with the use of a product or its application. Coset Inc. reserves the right to change at any time without notice the design, specifications, function, fit or form of its products described herein, including withdrawal at any time of a product offered for sales herein.