
5 MP USB 3.0 Camera Module (PP5MP-OV-1)

Supported Features

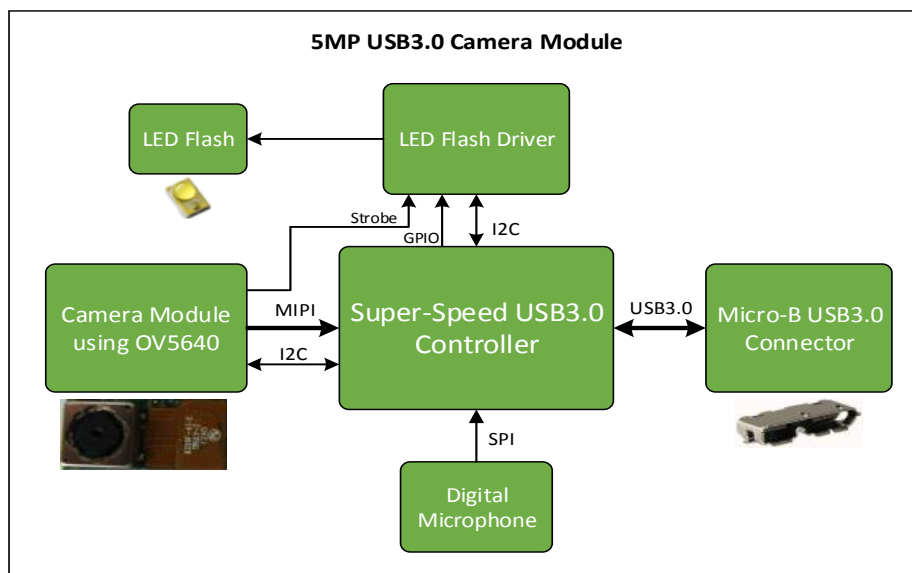
- UVC and UAC Compliant Plug and Play device (UAC is in progress. Targeted Date : November'14)
 - USB3.0 interface
 - It is backward compatible with USB 2.0 if USB3.0 is not available
 - Output Format: YUV2
 - Frame Rate Supported
 - VGA 640x480 – 30fps (USB 2.0), 45fps (USB 3.0)
 - HD 1280x720 (720p) – 60fps (USB 3.0)
 - Full HD 1920x1080 (1080p) - 30fps (USB 3.0)
 - Full Resolution 2592x1944 (QXGA) - 15fps (USB 3.0)
 - Still Image Capture supported at full resolution
 - Support for LED Flash/Torch during low light conditions (In progress. Targeted Date : November'14)
 - Built in MEMS microphone
 - User Configurable general purpose pins available
 - USB Bus powered device
 - Operating Temperature Range: -20° C to +70° C
 - Stable Image: 0° C to +50° C
 - Power Consumption: 5V@200mA typical (excluding LED Flash current)
 - Operating Voltage: 5V±250mV
 - Board Size: 55mm x 20mm
 - RoHS Compliant
- Note: Evaluation Copy of Video HDR executable on PC is provided for enhanced video experience.
- Features of 5MP Camera Sensor Module
 - Output Formats: RAW RGB, RGB565/555/444, YUV422/420, YCbCr422 and compression.
 - ¼ inch 4 Plastic + IR Lens
 - View Angle: 67.4°
 - Signal to noise ratio: 36 dB
 - Dynamic Range: 68dB@8X gain
 - Object Distance: 100 mm to infinity
 - Module Size: 19mmx8.5mmx4.95mm



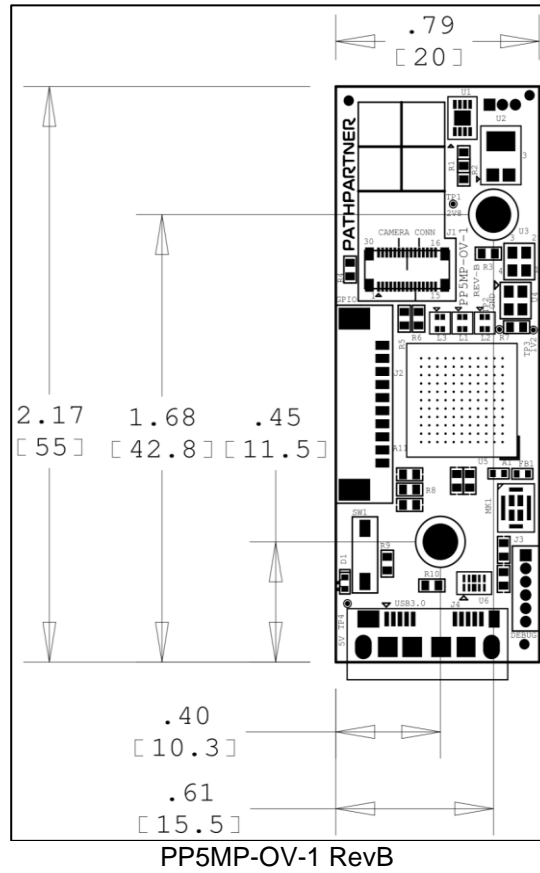
Description

5 MP Autofocus HD USB 3.0 Camera Module is based on OV5640 CMOS image sensor from Omnivision and is fully compliant with USB Video Class (UVC) 1.0 standard and USB Audio Class (UAC) 1.0 standard. OV5640 provides full functionality of complete camera including anti-shake technology, AF Control, integrated JPEG compression engine and automatic image control functions and outputs the data in high speed dual lane MIPI interface.

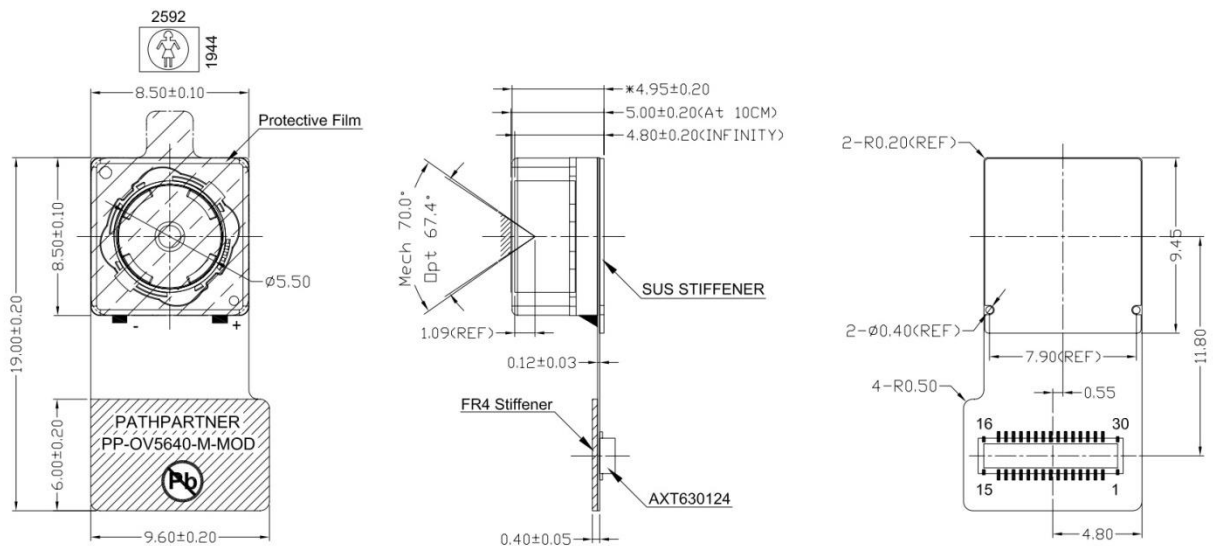
Block Diagram



Mechanical Drawing



Sensor Module Drawing



Acronyms

Abbreviation/Term	Expansion/Definition
USB	Universal Serial Bus
UVC	USB Video Class
UAC	USB Audio Class
AF	Autofocus
HD	High Definition

About PathPartner Technology

PathPartner Technology based out of California, USA and Bangalore, India is a leading provider of products and services for multimedia centric embedded devices. PathPartner has extensive experience in audio & video codecs, video analytics & vision, imaging, multimedia middleware and application development.

PathPartner has an expert management team with rich experience in Technology, Engineering & Business practices. The company has Sales & marketing presence in USA, Europe, Korea Taiwan and India. PathPartner specializes in addressing challenges faced by leading Silicon vendors, OS providers and OEMs in their product development.

www.pathpartnertech.com

sales@pathpartnertech.com