

Quasi-wavelength Fiber-coupled Laser System



RealLight Technology's quasi-wavelength fiber-coupled output semiconductor laser systems are available in various wavelengths, with excellent power stability. The product series is compact, portable, equipped with excellent cooling system and user-friendly interface. RealLight Technology also provides customized products according to users' requirements.

Key Features

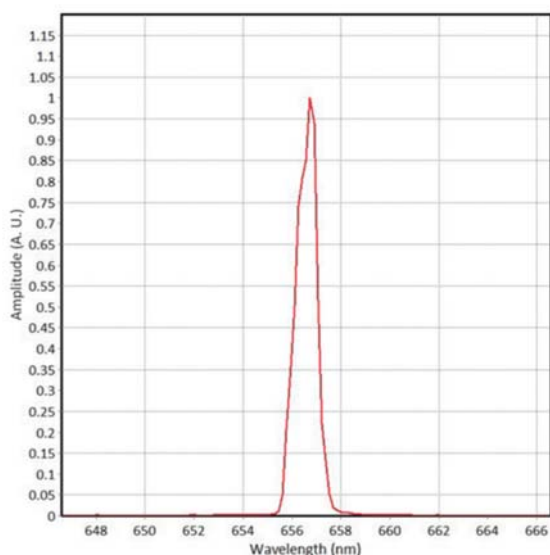
- ◆ Built-in TEC, excellent power stability $\pm 1\%$ @8H
- ◆ Several wavelengths available
- ◆ Contains PC control, short circuit protection functions
- ◆ Multimode fiber optional

Standard Wavelengths

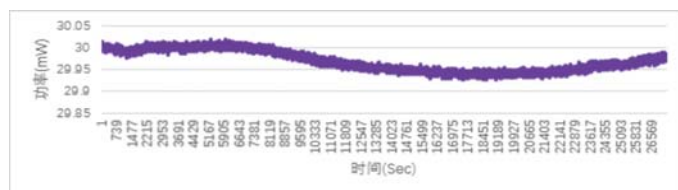
- 405nm · 450nm · 520nm
- 638nm · 658nm

Applications

Microscopy Conocal Microscopy Granularity measurement
Cytometry Fluorescence Excitation



658nm Laser Spectrum

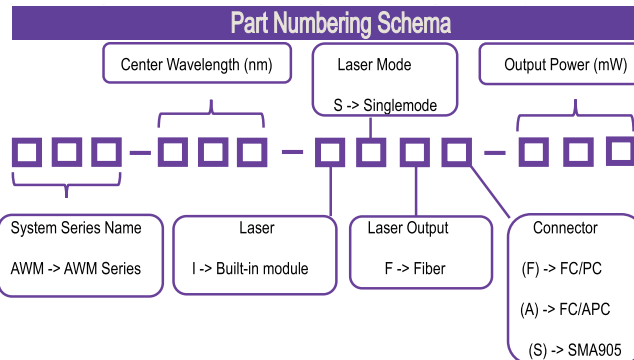


658nm Power Stability@8H

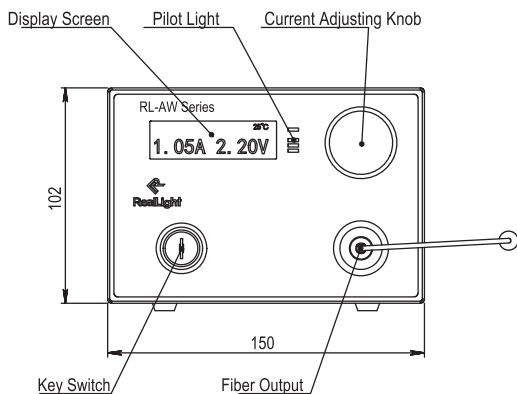
Optical Parameters					
Center Wavelength(nm)	405	450	520	638	658
Wavelength Tolerance(nm)	± 3	± 6	± 5	± 3	± 5
Output Power(mW)	30	20	20	30	30
Linewidth(nm)	0.5	1	1	0.5	0.5
Output Configuration	FC/PC、FC/APC、SMA905				
Power Stability	$\pm 1.0\%$ @ 8H				
System Parameters					
Adjustability % full Power	0~100%				
Warm up Time	15 min				
Modulation Input	1 KHz TTL or Analog signal 0~5V				
Interface	USB,BNC				
Supply Voltage	100~240VAC,50/60Hz				
Power Consumption	<5 W				
Storage Humidity	0~80% RH				
Storage Temperature	0~55 $^{\circ}$ C				
Operating Temperature	10~35 $^{\circ}$ C				
Weight	2.2 Kg				
Dimensions	150X102X200mm				

Ordering Information

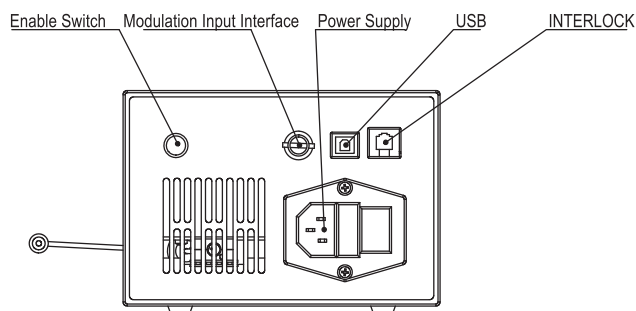
AWM Series Model List			
Wavelength(nm)	Power(mW)	Part Number	Connector
405	30	AWM-405-ISF(A)-030	FC/APC
	30	AWM-405-ISF(F)-030	FC/PC
	30	AWM-405-ISF(S)-030	SMA905
450	20	AWM-450-ISF(A)-020	APC
	20	AWM-450-ISF(F)-020	FC/PC
	20	AWM-450-ISF(S)-020	SMA905
520	20	AWM-520-ISF(A)-020	FC/APC
	20	AWM-520-ISF(F)-020	FC/PC
	20	AWM-520-ISF(S)-020	SMA905
638	30	AWM-638-ISF(A)-030	FC/APC
	30	AWM-638-ISF(F)-030	FC/PC
	30	AWM-638-ISF(S)-030	SMA905
658	30	AWM-658-ISF(A)-030	FC/APC
	30	AWM-658-ISF(F)-030	FC/PC
	30	AWM-658-ISF(S)-030	SMA905



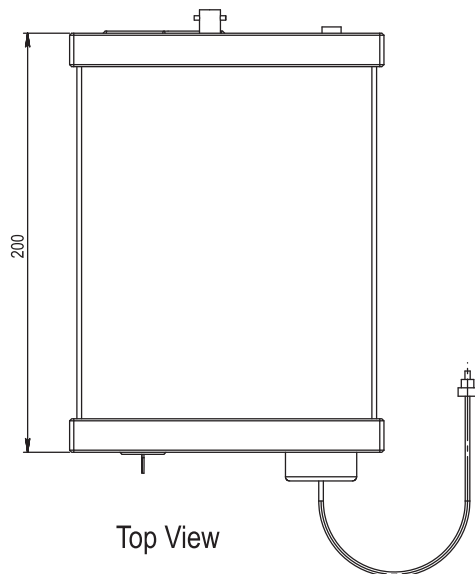
Mechanical Specifications



Front View



Back View



Top View

