

4000W - 6000W CW Fiber Lasers

Everfoton 4000W - 6000W CW Fiber Lasers feature high wall-plug efficiency, multi-stages anti-back reflection protection, and compact design. The 800μm brightness output option and flat-top beam can increase the utilization rate of powder during the melting process, with excellent molding effect.

- ◆ High wall-plug efficiency
- ◆ Multi-stages anti-back reflection protections
- ◆ Flat top beam for cladding application
- ◆ Compact design with small footprint



+86-27-65271788

sales@everfoton.com

Download of Specifications More Information

Applications

Specifications

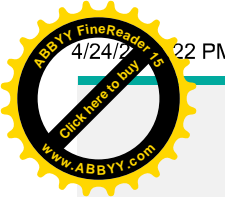
Applications

APPLICATIONS

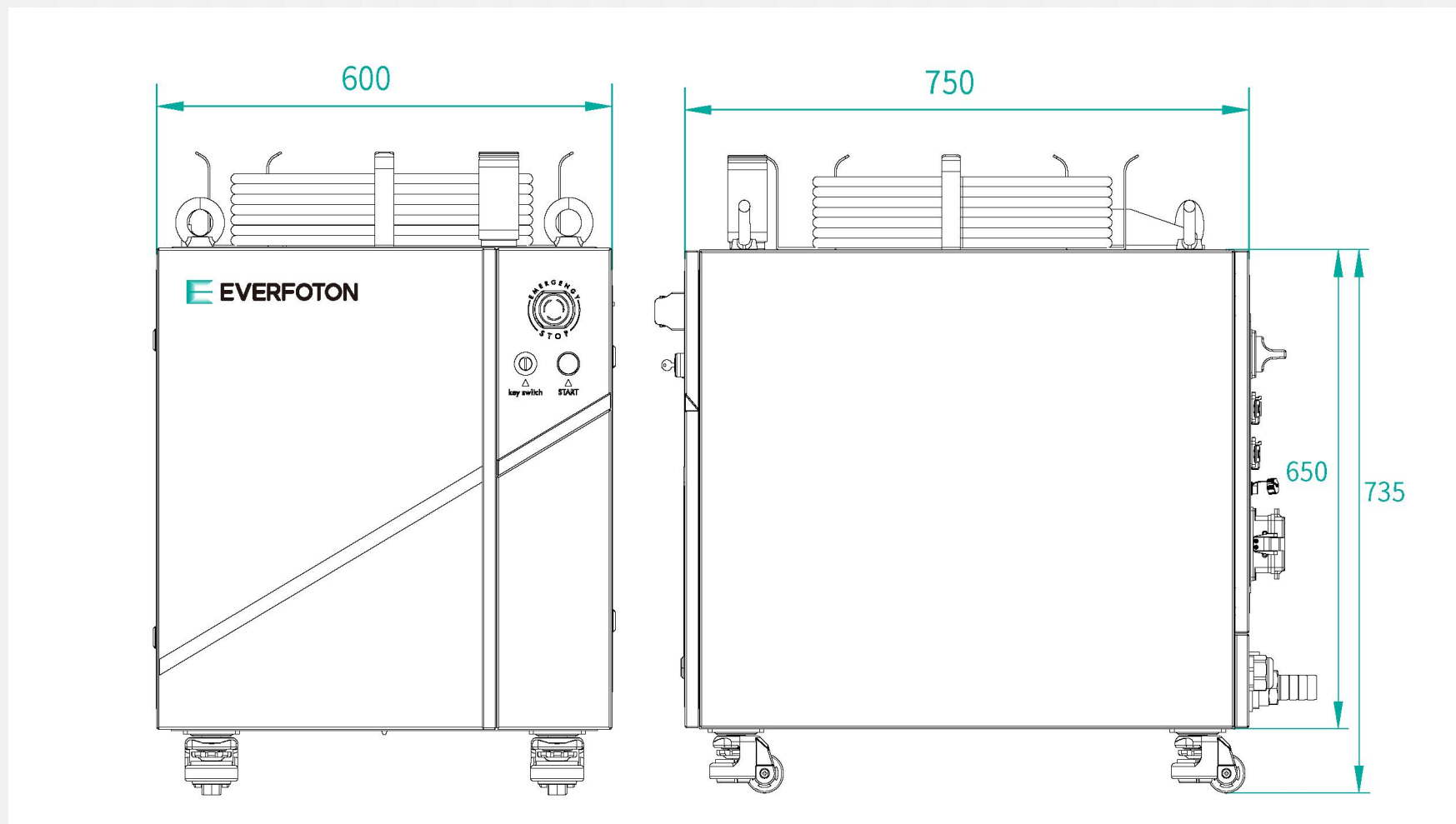
- Cladding
- Quenching
- Surface heat treatment

Specifications

Product Code	FFSC-4000F	FFSC-6000F
Optical Parameters		
Output Power (W)	4000	6000
Operating Mode	CW/Modulated	
Polarization State	Random	
Output Power Tunability (%)	10 - 100	
Beam Quality M ²	> 110	
Output Power Instability 25°C (%)	< 2 (2 hours)	
Emission Wavelength (nm)	1080±5	
Spectrum Width FWHM (nm)	< 4	
Modulation Frequency (kHz)	5	



Red Laser Power (μW)	> 120	
Fiber Delivery Cable Parameters		
Output Type	QBH/LOE	
Length (m)	20	
Core Diameter (μm)	800	
Minimum Bending Radius (mm)	200	
Electrical Characteristics		
Operating Voltage (VAC)	340 - 420, 3P5W 50/60Hz	
Max Power Consumption (kW)	12	18
Control Mode	RS232/AD/Ethernet	
Other Characteristics		
Cooling Method	Water Cooled	
Water-cooling Temperature (°C)	25±1	
Dimensions (mm)	W600 x D750 x H650 (Not include lights)	



Recommended products

More →



300W - 500W High-stability CW Fiber Laser

Everfoton's High-stability 300W - 500W CW Fiber Lasers are a...



1500W - 3000W CW Fiber Laser

Everfoton's CW Fiber Lasers feature a unique combination o...



1500W - 3000W CW Fiber Laser

Everfoton's CW Fiber Lasers feature high wall-plug efficiency...



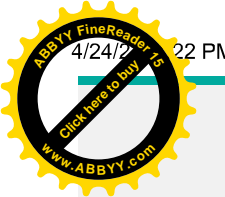
3000W CW Fiber Laser

Everfoton's 3000W CW Fiber Laser features high wall-plug...

40

Ever Fibe





EVERFOTON

[Contact Us](#)

Products

- Fiber Lasers
- Components and Assemblies
- Fibers and Basic Materials

Applications

- Laser Welding of Highly Reflective Materials for E-Mobility
- High Power Laser Cutting
- Laser Heat-treatment and Cladding
- Laser Micro-welding/ Precision Welding
- Laser Cleaning
- Metal 3D Printing
- The Portable Long-range Laser Cleaning System

Support

- Resources
- Application Lab
- Maintenance
- Service System
- After-sales Service

About Everfoton

- [About Us](#)
- [News](#)
- [Join Us](#)

