



4000W - 6000W CW Fiber Lasers

Everfoton 4000W - 6000W CW Fiber Lasers are designed to deliver the best performance on metal cutting, welding, and drilling applications based on its unique features such as high back reflection resistance, high wall plug efficiency, and compact design. 50µm/100µm high brightness output option can accelerate the cutting of thin metal. Larger beam spot option enables excellent quality cutting of thick metals.

- ◆ High wall-plug efficiency
- ◆ Multi-stages anti-back reflection protections
- ◆ Flat top energy distribution
- ◆ Less spatter in welding
- ◆ Maintaining thin plate cutting speed and medium and thick plate cutting quality

+86-27-65271788

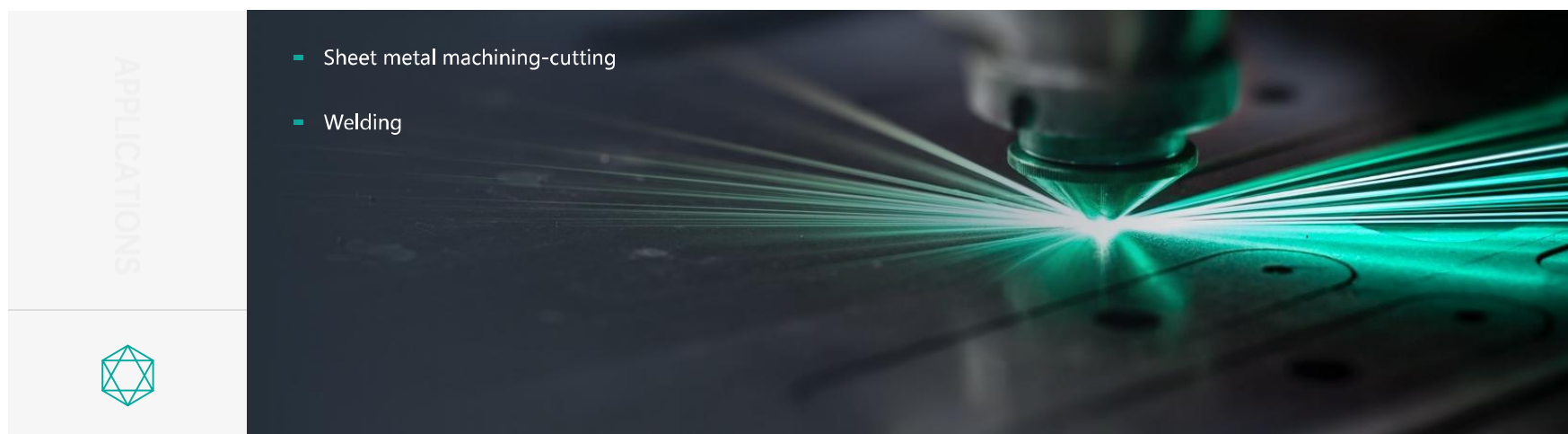
sales@everfoton.com

Download of Specifications More Information

Applications

Specifications

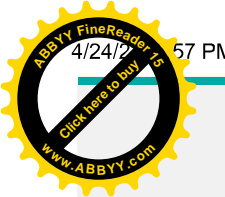
Applications



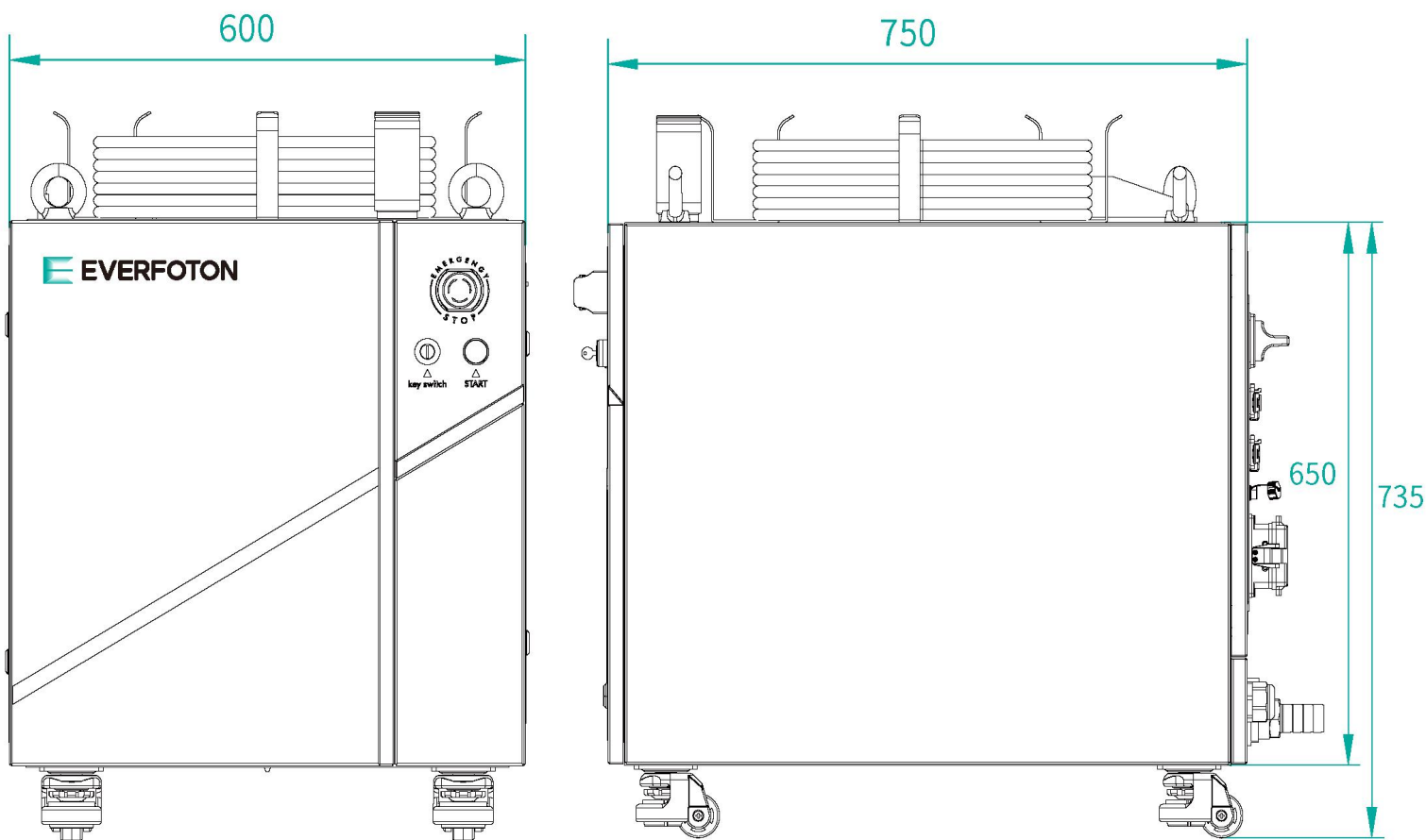
- Sheet metal machining-cutting
- Welding

Specifications

Product Code	FFSC-4000	FFSC-6000
Optical Parameters		
Output Power (W)	4000	6000
Operating Mode	CW/Modulated	
Polarization State	Random	
Output Power Tunability (%)	10 - 100	
Beam Quality BPP (mm x mrad)	< 4.0	
Output Power Instability 25°C (%)	< 2 (2 hours)	
Emission Wavelength (nm)	1080±5	



Spectrum width FWHM (nm)	< 4	
Modulation Frequency (kHz)	5	
Red Laser Power (μW)	> 200	
Fiber Delivery Cable Parameters		
Output Type	QBH	
Length (m)	20	
Core Diameter (μm)	50/100	
Minimum Bending Radius (mm)	200	
Electrical Characteristics		
Operating Voltage (VAC)	340 - 420, 3P5W 50/60Hz	
Max Power Consumption (kW)	12	18
Control Mode	RS232/AD/Ethernet	
Other Characteristics		
Cooling Method	Water Cooled	
Water-cooling Temperature (°C)	25±1	
Dimensions (mm)	W600 x D750 x H650 (Not include lights)	



Recommended products

More



300W - 500W High-...



1500W - 3000W CW...



1500W - 3000W CW...

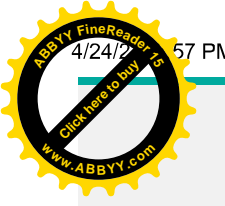


4000W - 6000W CW...



40





EVERFOTON

[Contact Us](#)

Products

- Fiber Lasers
- Components and Assemblies
- Fibers and Basic Materials

Applications

- Laser Welding of Highly Reflective Materials for E-Mobility
- High Power Laser Cutting
- Laser Heat-treatment and Cladding
- Laser Micro-welding/ Precision Welding
- Laser Cleaning
- Metal 3D Printing
- The Portable Long-range Laser Cleaning System

Support

- Resources
- Application Lab
- Maintenance
- Service System
- After-sales Service

About Everfoton

- [About Us](#)
- [News](#)
- [Join Us](#)

