

## Polarization Insensitive Circulator (2x2 PICIR, 1310/1550)

### 1. Description

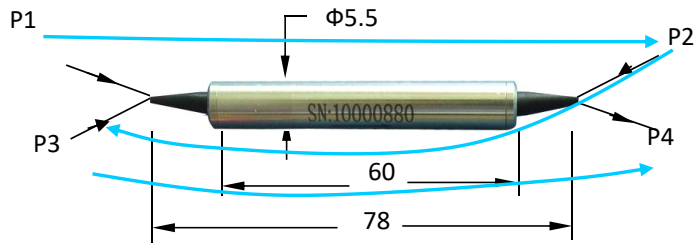
The Polarization Insensitive Circulator is used for routing light path, widely used in sensing communication system, features low insertion loss, high cross talk and high reliability and stability.

### 2. Features

Compact size  
High Channel Isolation

### 3. Applications

Routing and sensing  
Dispersion Compensation



### 4. Specifications

Parameters	Unit	Specification	
Operating wavelength Range	nm	1310+/-30 or 1550+/-30	1525~1610(C+L)
Insertion loss (1-2, 2-3 @λOp, TOp, all states)	dB	≤1.0	≤1.2
Polarization Dependent Loss (PDL)	dB	≤0.2	≤0.25
Polarization Mode Dispersion (PMD)	dB	≤0.10	≤0.10
Isolation (2-1, 3-2 @λOp, TOp, all states of polarization)	dB	≥40	≥40
Directivity	dB	≥50	
Return Loss	dB	≥50	
Power handling(CW)	mW	≤500	
Pigtail length	m	1.0±0.1	
Port color	---	Port 1: black, Port 2 and 3: clear (natural)	
Tensile Load	N	≤5	
Operating Temperature	°C	0 to +70	
Storage Temperature	°C	-40 to +85	

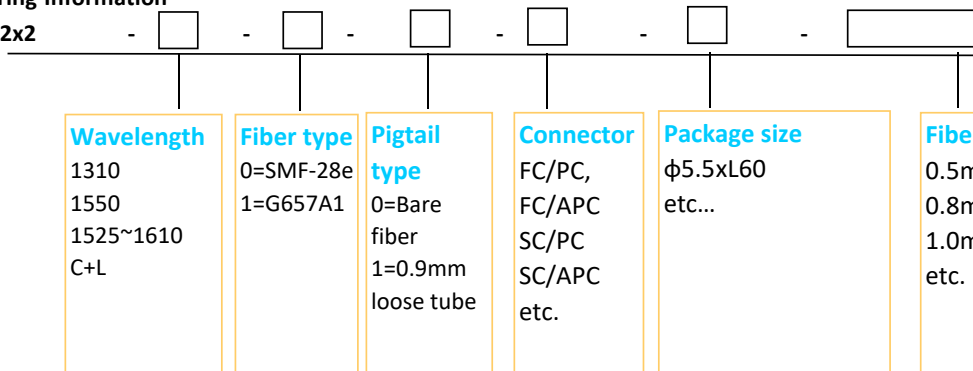
Remark

\* Above specifications are for device without connector.

With connector, 0.3dB higher for IL & 5dB lower for RL per connector.

### 5. Ordering Information

PICIR - 2x2



Example: PICIR-2x2-1550-0-0-FC/PCx3-5.5x38-1m