

PROPRIETARY AND CONFIDENTIAL

THE INFORMATION CONTAINED IN THIS DRAWING IS THE SOLE PROPERTY OF SIDUS SOLUTIONS INC. ANY REPRODUCTION IN ANY PART OR AS A WHOLE WITHOUT THE WRITTEN PERMISSION OF SIDUS SOLUTIONS INC. IS PROHIBITED.

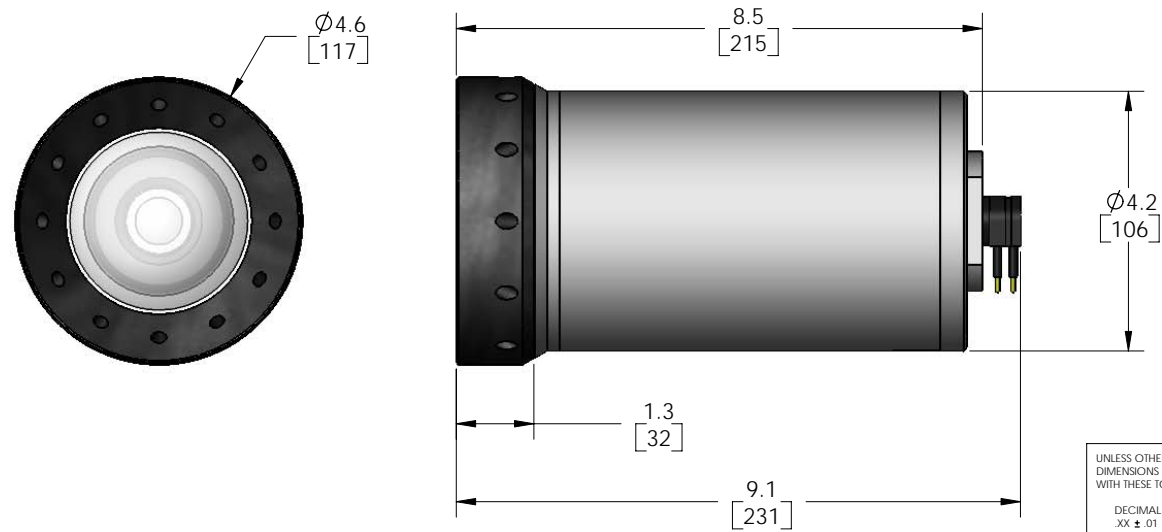
REVISIONS			
REV.	DESCRIPTION	DATE	APPROVED


NOTES: UNLESS OTHERWISE SPECIFIED

1. MATERIAL: 6061-T6 ALUMINUM HOUSING, ACRYLIC WINDOW
2. WEIGHT IN AIR: 7 lb/3 kg , WEIGHT IN WATER: 4 lb/1.8 kg
3. OPERATING DEPTH: 3000 ft/1000 m
4. OPERATING TEMPERATURE: -5 °C TO 50 °C (23 °F TO 122 °F)
5. OPERATING VOLTAGE: 15-30 VDC
6. VIDEO OUTPUT: 1.0 Vpp COMPOSITE
7. RESOLUTION: 800 TVL
8. SENSOR: 1/3" 3 CCD INTERLINE TRANSFER
9. SENSITIVITY: 2000lx (F8.0)
10. MINIMUM ILLUMINATION (1.2 lux (F2.2, GAIN: +24dB))
11. S/N RATIO: 64 dB (NTSC)/62 dB (PAL)
12. LENS: 2.8mm
13. IRIS: AUTO & REMOTE CONOTROL
14. FOCUS: FIXED - 475-3211-2, REMOTE CONTROL - 475-3241-2
15. FIELD OF VIEW: 111.4° D X 89.1° H X 69.3° V
16. MINIMUM OBJECT DISTANCE: 4 in (100 mm)
17. CONNECTOR TO BE SPECIFIED



SPECIFICATIONS SUBJECT TO CHANGE



UNLESS OTHERWISE SPECIFIED DIMENSIONS ARE IN INCHES WITH THESE TOLERANCES: DECIMAL XX ± .01 XXX ± .005 ANGLE ±1.0°	APPROVALS	DATE	
	CHECKED J. Gardiner	9/26/07	
	ENG APPR		
	MFG APPR		
INTERPRET GEOMETRIC TOLERANCING PER: ANSI-Y14.5M	COMMENTS:	3CCD Broadcast Camera	
MATERIAL	CAD GENERATED DRAWING, DO NOT UPDATE MANUALLY	SIZE	DWG. NO.
FINISH		B	475-31211-2/475-31241-2
DO NOT SCALE DRAWING		SCALE: 1:4	PART FILE: PRT
		SHEET 1 OF 1	