

349 NX

Single Frequency CW UV Laser

The 349 NX laser platform offers unrivalled CW single frequency operation within the UV range, offering up to 200 mW power with outstanding beam characteristics, high output stability, extremely low noise, small footprint, and versatile software package – making it suitable for a wide range of applications and system integrations.

KEY FEATURES



Ultra-narrow Linewidth
 ≤ 0.5 MHz



High Power Stability
 ≤ 2.0 % over 8 hours



High Spectral Stability
 ± 1 pm over 8 hours



Designed for Integration

APPLICATIONS

Semiconductor Inspection - Wafer Fabrication - Lithography - Confocal Microscopy - Raman Spectroscopy - Biomedical/Bioengineering - Flow Cytometry - Fluorescence - Disc Mastering - Diffraction Grating Mastering - High Precision Optics - and more.

Specifications

Output Beam Parameters:

Output Power	up to 200 mW
Wavelength	349 nm
Spectral Bandwidth	≤ 0.5 MHz
Spatial Mode	TEM ₀₀
Spectral Stability	± 1.0 pm (over 8 hour operation)
Coherence Length	> 100 m
Output Power Stability	≤ 2.0 % (over 8 hour operation)
Output Power Noise	≤ 0.1 % RMS (10 Hz – 10 MHz)
Beam Divergence	≤ 2.5 mrad, diffraction limited
Beam Diameter at Output Aperture	0.6 – 1.2 mm
Beam Pointing Stability	≤ 5 μ rad/ $^{\circ}$ C

Integration Features:

Plug-In USB Connectivity	Combined Heatsink
Versatile Control Software	Remote Diagnostic Support

Laser Head Dimensions:

L x W x H	240 x 150 x 100 mm
Beam Height	65 mm

Environmental Conditions:

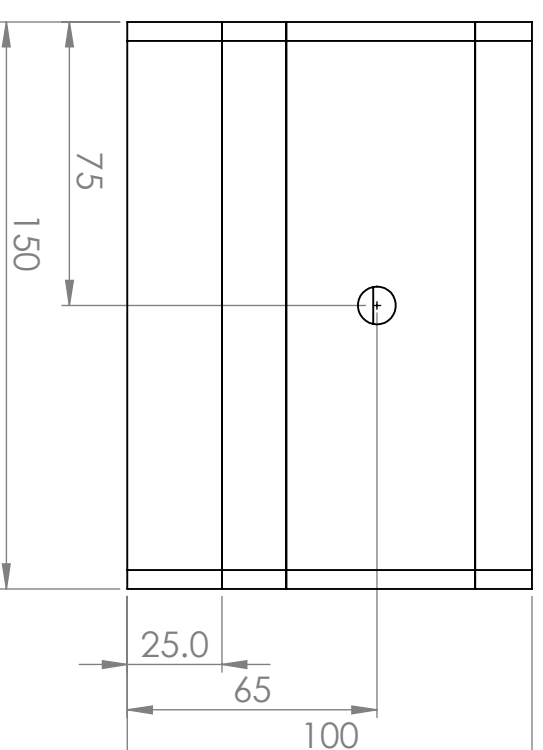
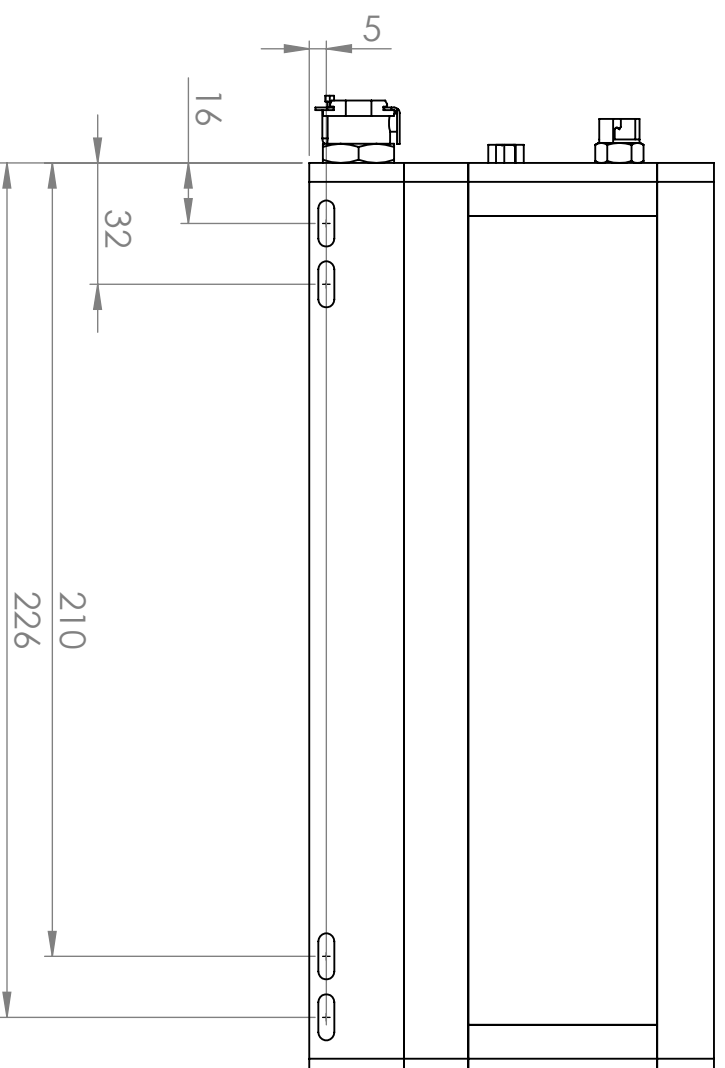
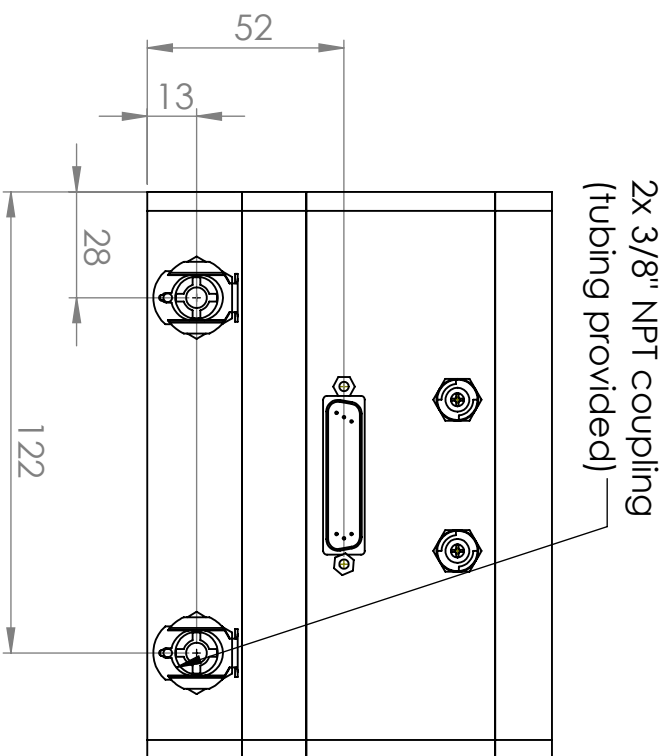
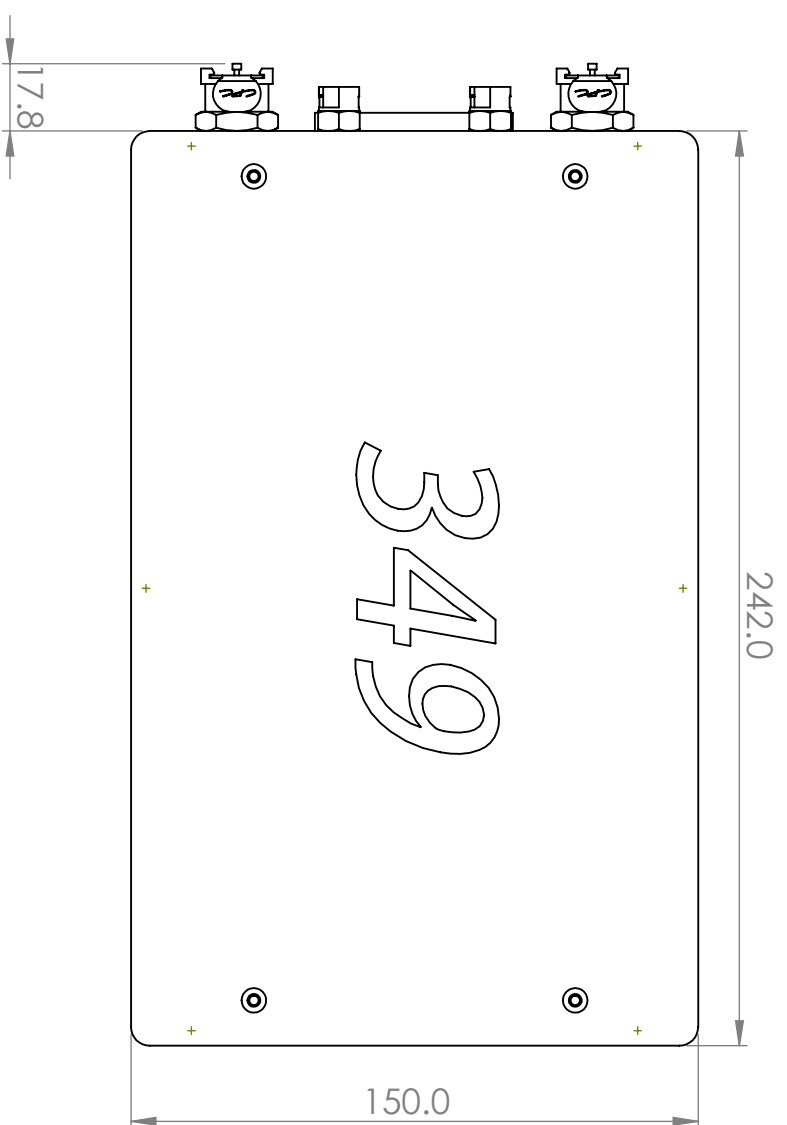
Ambient Temperature Range	18 – 30 $^{\circ}$ C
Laser Head Interface Stability	± 1.5 $^{\circ}$ C
Storage	0 – 50 $^{\circ}$ C
Humidity	5 – 95 %, non-condensing
Laser Head	Hermetically sealed

Optional Accessories:

Heatsink	Fan-assisted air-cooled or Water-Cooled with Thermoelectric Chiller
External Manual Power Control	0 – 100 %, continuous

Warranty:

12 Month Warranty	For laser head and controller
-------------------	-------------------------------



Dimensions in mm
 General tolerances: per DIN/ISO 2768-H
 Form/Position tolerances: per DIN/ISO 1101
 Edges: per DIN/ISO 6784

UnikLasers Ltd

Reg Office: 5th Floor 125 Pincess Street
 Edinburgh EH2 4AD

SCALE: 1:2

STOCK NUMBER:

349 NX - 200

PROJECT:

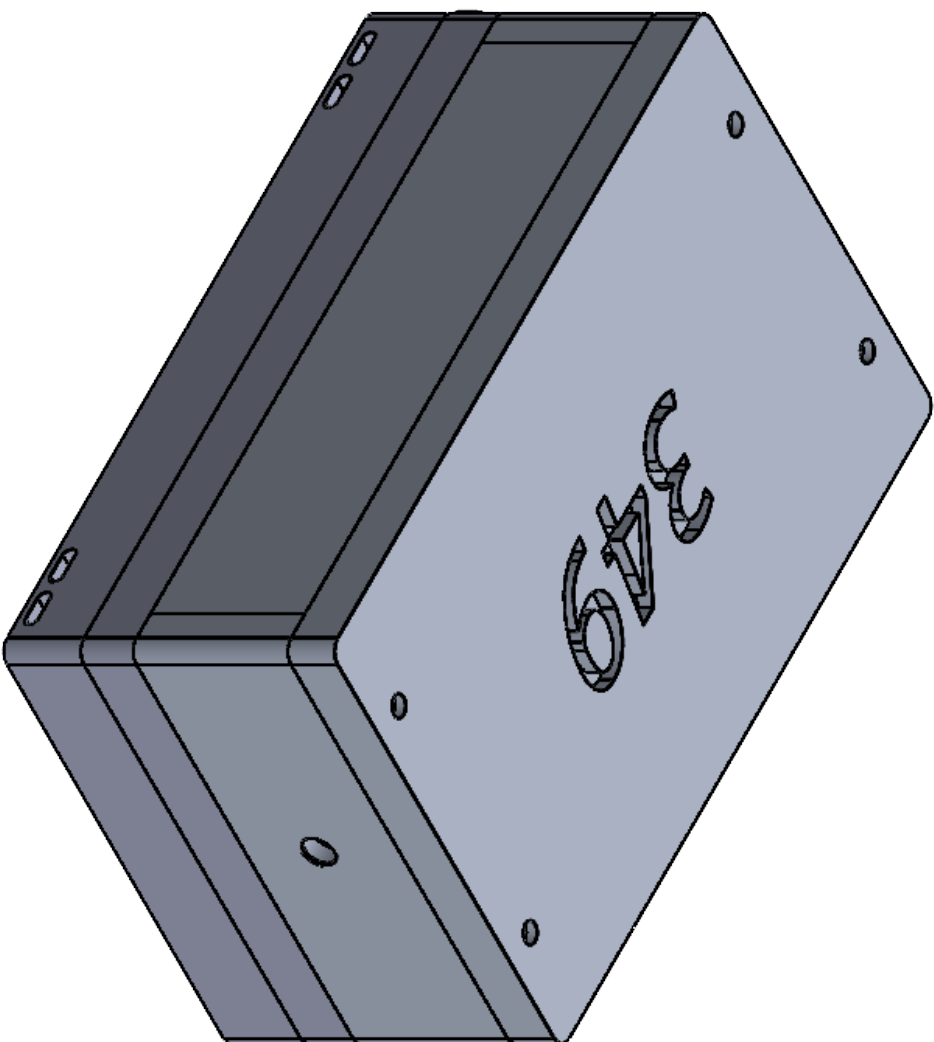
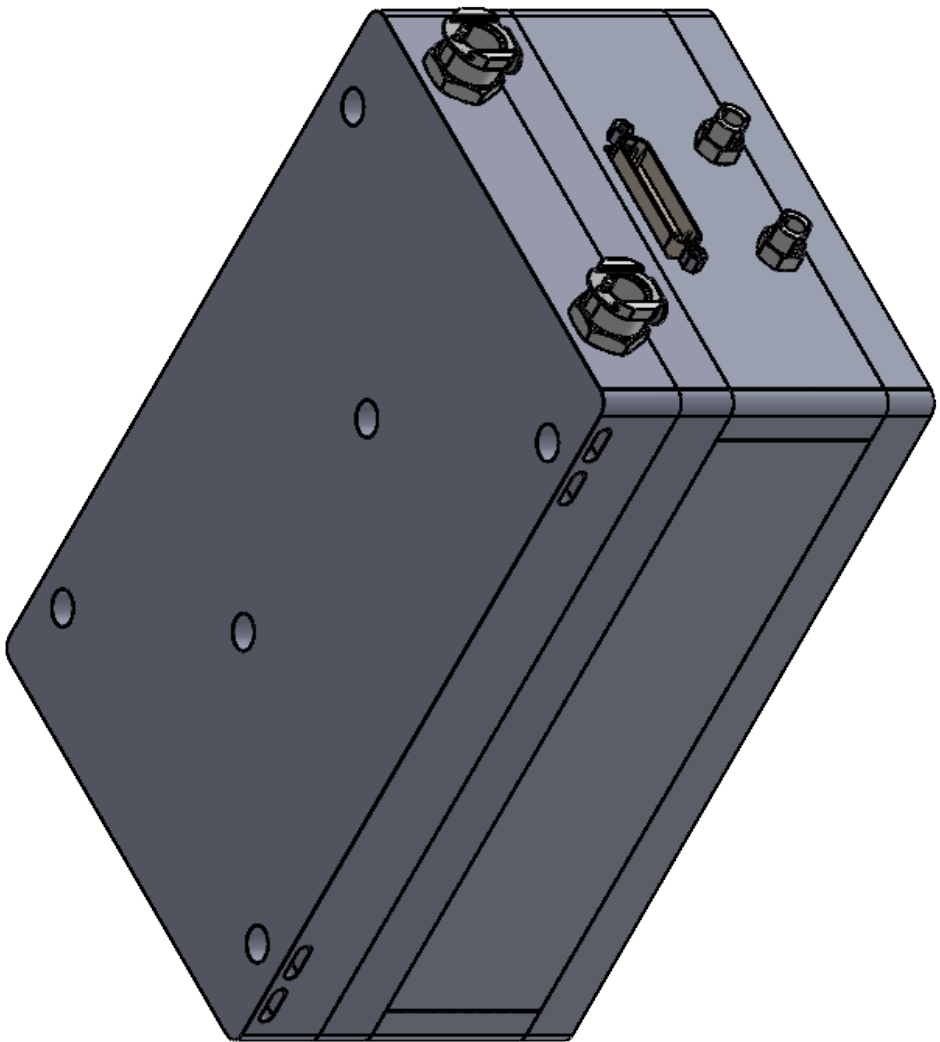
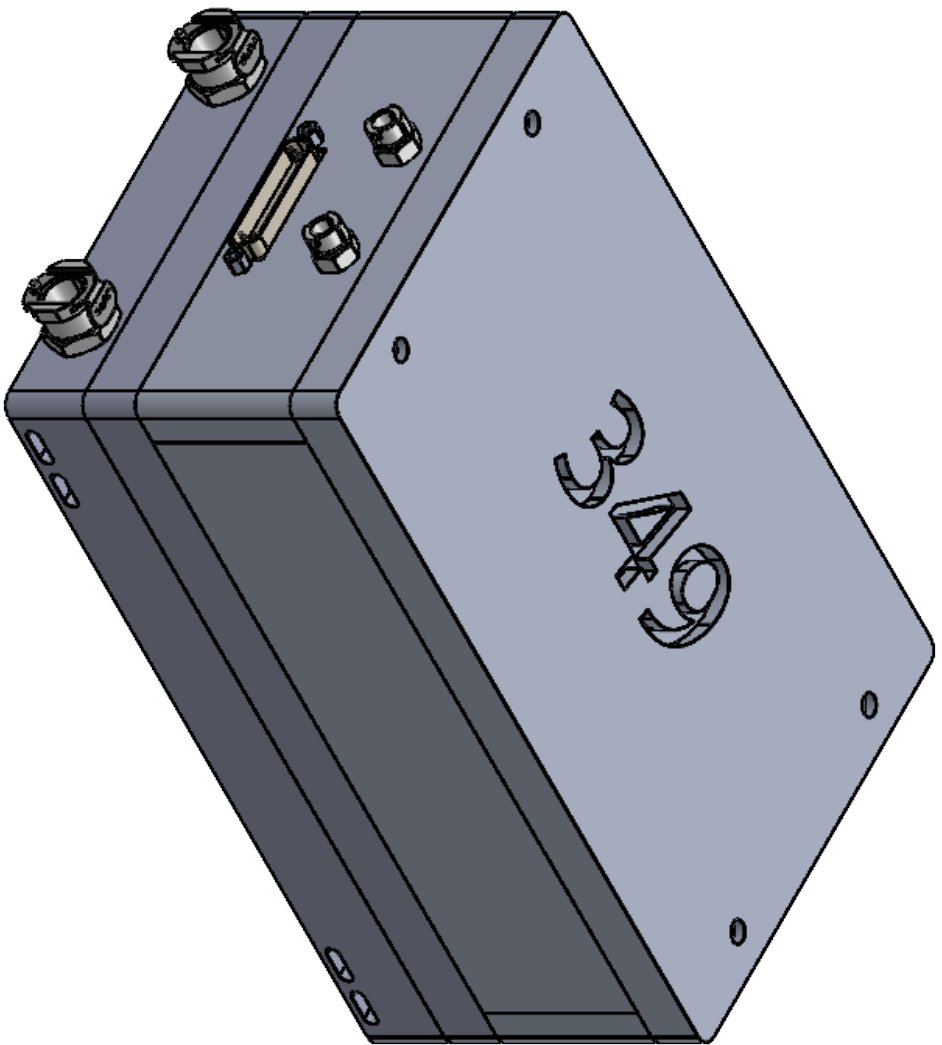
MATERIAL:

DWG NO:

REVISION:
 A0

SHEET 1 OF 2

The copyright in this work belongs to UnikLasers Ltd, and the document is issued in confidence for the purposes only for which it is supplied. It should not be copied in whole or in part or used for rendering of manufacturing purposes except under agreement or with written consent of UnikLasers Ltd, and then only on the condition that this notice is repeated in any such copy



Dimensions in mm
 General tolerances: per DIN/ISO 2768-H
 Form/Position tolerances: per DIN/ISO 1101
 Edges: per DIN/ISO 6784

UnikLasers Ltd

Reg Office: 5th Floor 125 Pinness Street
 Edinburgh EH2 4AD

SCALE: 1:2

STOCK NUMBER:



PROJECT:

MATERIAL:

TITLE:

DWG NO:

349 NX - 200

REVISION:
 A0

SHEET 2 OF 2

The copyright in this work belongs to UnikLasers Ltd, and the document is issued in confidence for the purposes only for which it is supplied. It should not be copied in whole or in part or used for tendering or manufacturing purposes except under agreement or with written consent of UnikLasers Ltd, and then only on the condition that this notice is repeated in any such copy