



Item No.: FC808DL300

Item Name: 300W 808nm Fiber Coupled Diode Laser

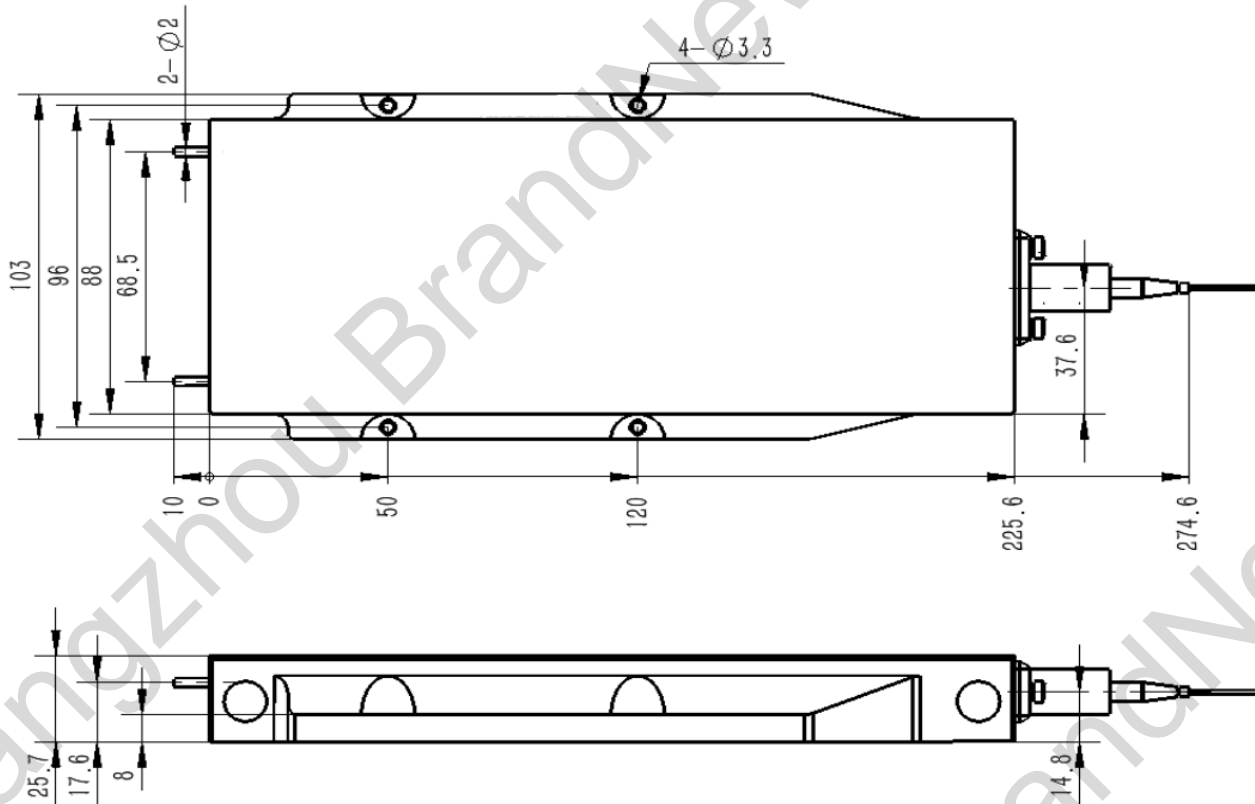
Optical	Typical Value
Center Wavelength $\lambda$	808nm $\pm$ 15nm
Output Power	300W
Working Mode	CW

Fiber	
Fiber Core	200um
Numerical Aperture	0.22NA
Fiber Length	1.5m
Fiber Connector	SMA905

Electrical	
Threshold Current $I_{th}$	1.5A
Operating Current $I_{op}$	10A
Operating Voltage $V_{op}$	70V

Thermal	
Test Temperature	25°C
Storage Temperature	-30~70°C

Package Drawing



Subject to change without notice

