

CHUTIAN

since 1985



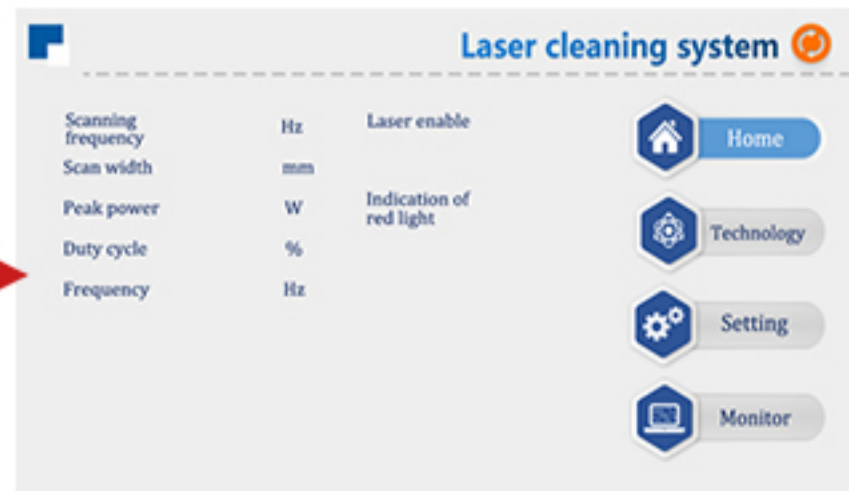
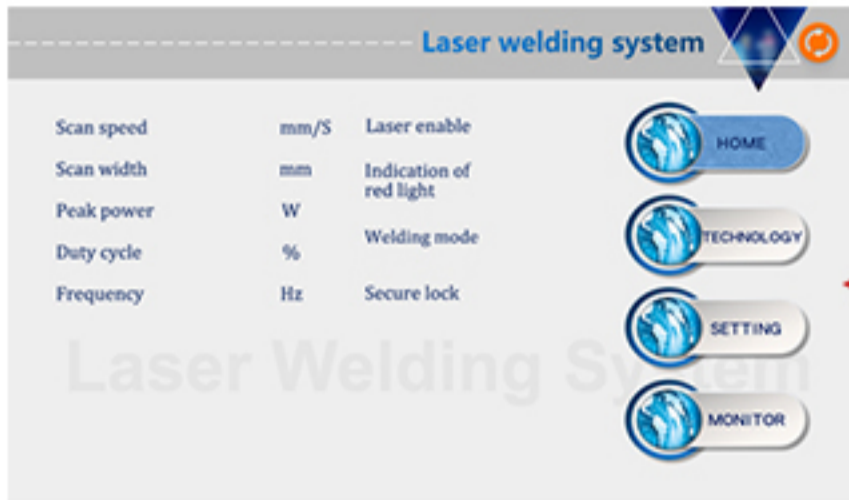
3 in 1 Handheld Laser Welding Cleaning Cutting Machine

- 3 in 1 Multi-use
- Laser **Welding**
- Laser **Cleaning**
- Laser **Cutting**



One Machine with **Two System**

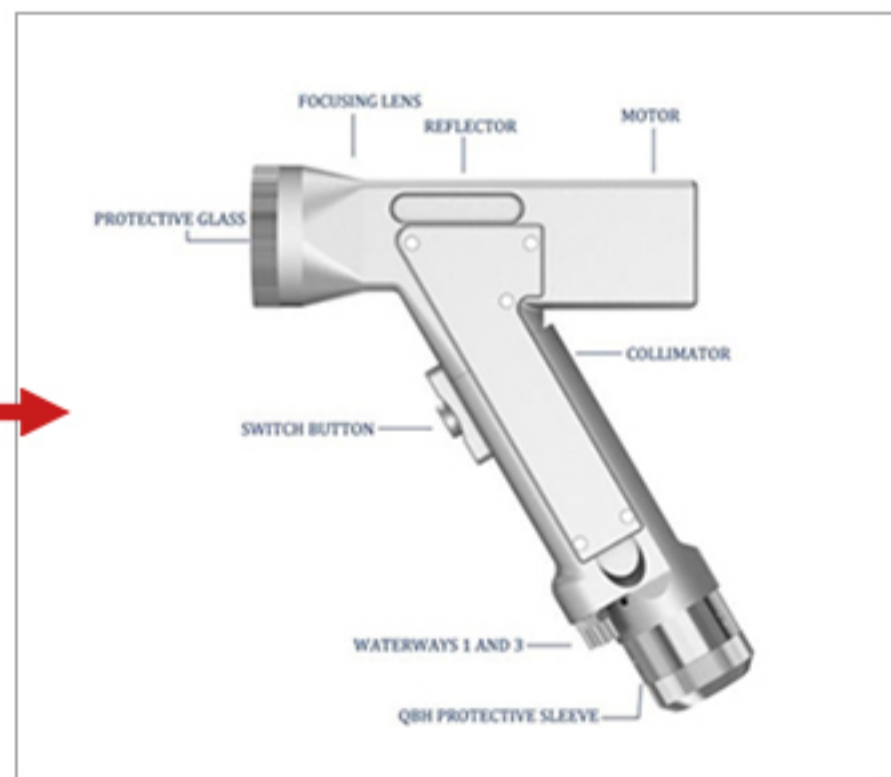
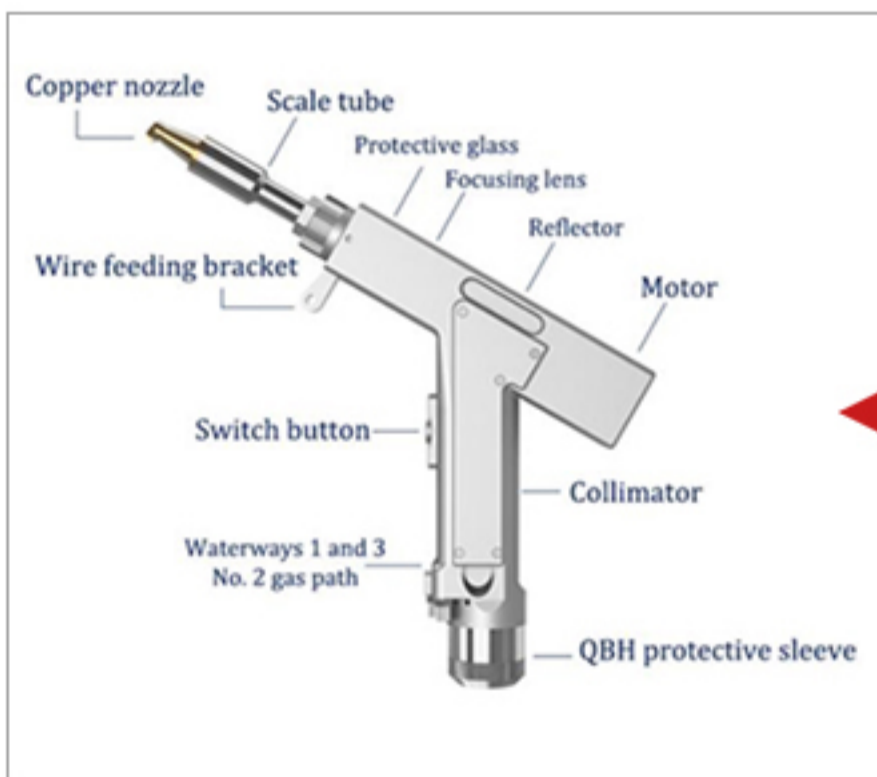
Switchover With one click



Laser Welding System

Laser Cleaning System

Replaced Easily



3 in 1 Laser Head

Laser Cleaning Head

Special Nozzle for **Laser Cutting**

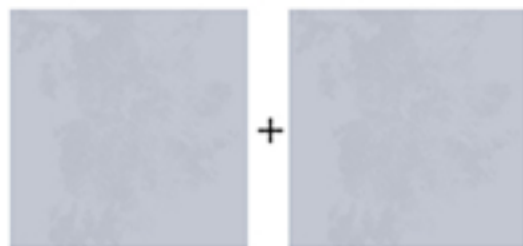


**1000w / 1500w / 2000w / 3000w
Fiber Laser for Welding Thicker Metals**

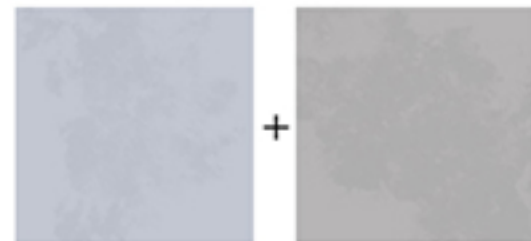


(Welding Thickness:0.1mm~10mm)

Able to Weld Same Metals & Dissimilar Metals

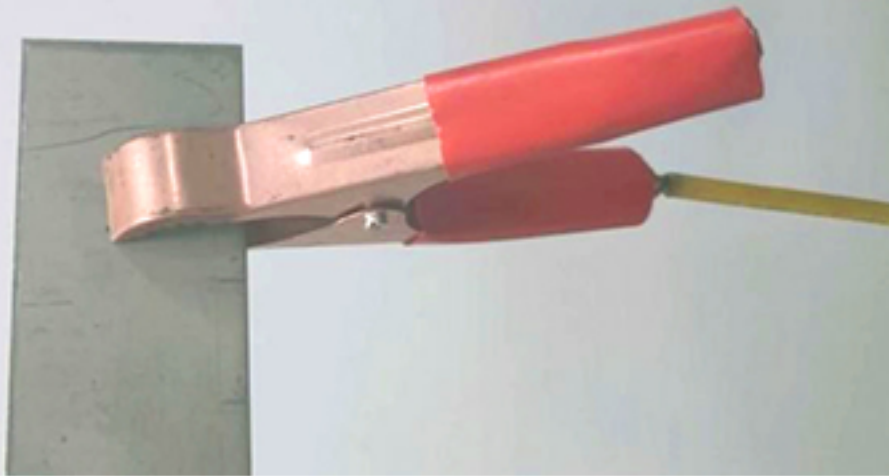


Laser Weld Same Metals



Laser Weld Dissimilar Metals

Safety Options



Nozzle-Contact-Lock Clip

Laser outputs only when the metals is clipped

Protection Glasses & Helmet(Optional)



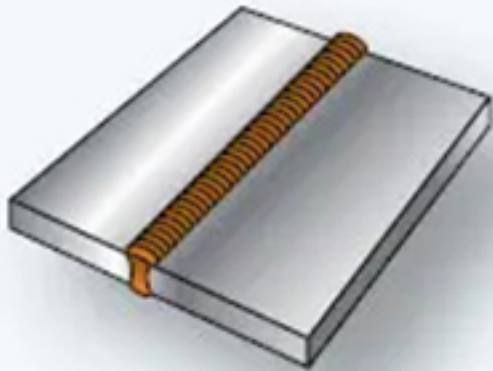
Emergencystop

Key

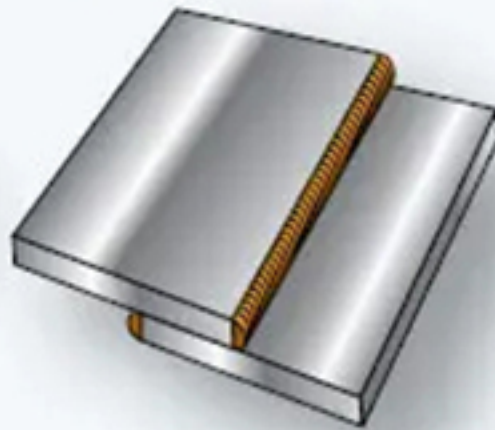
Emergency Stop & Key Lock

Application

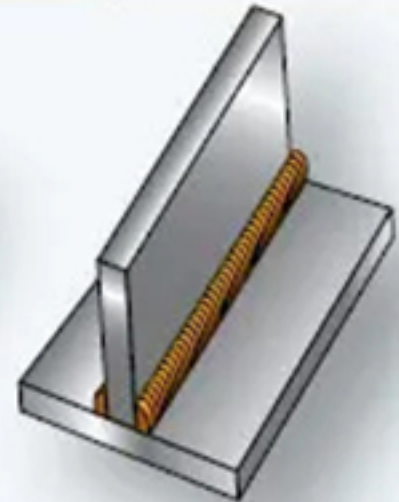
Welding



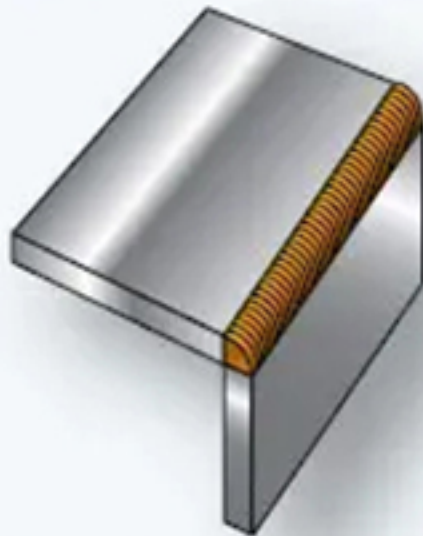
Butt Joint



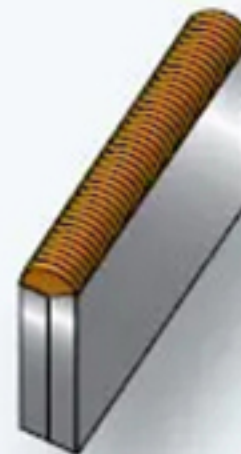
Lap Joint



Tee Joint



Corner Joint



Edge Joint



Cleaning

