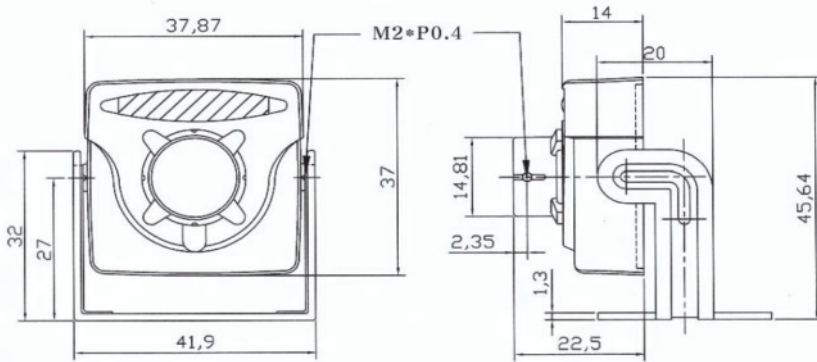


Product Features

- Sony 1/3" CMOS sensor
- Resolution: 1280H / 1000 TVL
- Miniature housed camera (36mm x 36mm x 18mm)
- Wide Dynamic Range (WDR)
- Digital Noise Reduction (DNR)
- Day / night
- M-12 lens mount
- Cable OSD control included
- 12VDC
- Privacy mask



Shown with an optional 6.0mm megapixel fixed lens



Back View



O.S.D. Control

BNC

12V Power

Technical Specifications

Electrical	24C7.35W
Image Sensor	SONY 1/3" CMOS Sensor
Effective Resolution	1280 (H) x 960 (V) NTSC 1280 (H) x 924 (V) PAL
Scanning System	Interlace
Sync. System	Internal
Min. Illumination	Color .1 Lux, B/W .001 Lux (AGC ON)
Video Output	Composite video 1.0 Vp-p (Sync. Negative)
Signal to Noise Ratio	>50dB (AGC OFF)
Shutter Speed	1/60 ~ 1/150,000 sec. NTSC 1/50 ~ 1/150,000 sec. PAL
Power Input	12VDC +/- 10% / 1A
Power Consumption	12VDC / 450mA

Environmental

Operating Temperature	-10°C ~ 50°C (14° F ~ 122° F)
Operating Humidity	<90% RH
Storage Temperature	-20°C ~ 60°C (-4° F ~ 140° F)

Accessories

Included	Cable with OSD control board, BNC and power connections
----------	---

Mechanical

Dimensions W x H x D	36mm x 36mm x 18.5mm (1.4" x 1.4" x 0.7")
Weight	180g (6.3oz)
Lens Mount	M-12, for a list of available lenses, please go to www.videologyinc.com/lenses

OSD Functions (See OSD manual for more detail)

Day/ Night	AUTO/ COLOR/ BW
WDR / ATR	WDR/ ATR/ OFF
AGC	0db - 54db
White Balance	ATW/ PUSH/ USER1/ USER2/ MANUAL/ PUSH LOCK
DNR	2 DNR
Backlight	HLC/ OFF
Privacy Mask	16 areas
Defog	OFF/ ON
Mirror	V/ H/ HV/ OFF
Language	English, German, French, Russian, Portuguese, Spanish