

## 2 Micron CW Fiber Laser Module

### AP-CW1-MOD

#### Applications:

- Plastic materials processing
- Laser surgery
- Aesthetic medicine

#### Features:

- Customizable operating wavelength
- Adjustable output power
- Output modulation capability
- Near diffraction limited beam quality
- Turn-key control unit available



#### Optical Characteristics:

Parameter	Specification
Operating mode	CW or modulated
Operating wavelength	1950 nm (option: 1900-2100 nm)
Wavelength accuracy	±5 nm nominal
Output power	10 W (higher or lower power available)
Power adjustment	10-100% max.
Spectral linewidth	< 1 nm
Beam quality, M <sup>2</sup>	< 1.1
Output polarization	Random (option: linear polarization)
Output modulation	Up to 1 kHz
Output isolator	Option available
Aiming beam	Option available
Output delivery	Fiber collimator or SMA connector

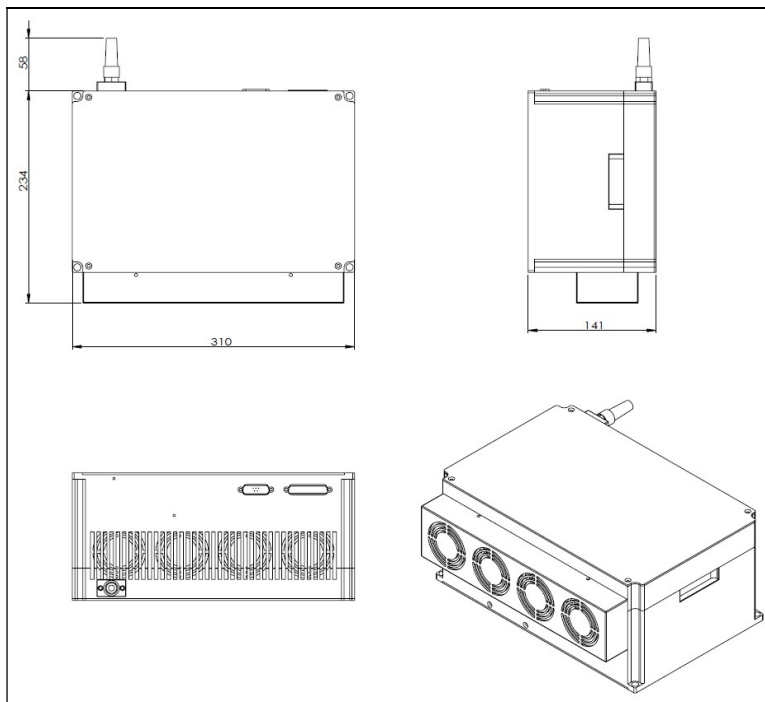
(For special requirement, please contact AdValue Photonics for options.)

*Specifications subject to change without notice*

## General Characteristics:

Parameter	Specification
Operating current	13 A (nominal)
Operating voltage	24 V (nominal)
Modulation control signal	TTL
Operating temperature	10-30 °C
Storage temperature	-10 to +70 °C
Warm-up time	10 minutes
Package dimensions	310(W) x 234(D) x 141(H) mm

## Mechanical Outline:



## Ordering Information:

Part Number:	AP-CW1-	-	xxxx	-	xx	-	xx
	MOD						
			Standard Wavelength:		Output Power:		Polarization:
			1950 = 1950 nm		02 = 2 W		RP = random polarization
			Custom Wavelength:		05 = 5 W		LP = linear polarization
			xxxx = xxxx nm		10 = 10 W		

Specifications subject to change without notice