

# 1500W-3000W High-brightness CW Fiber Lasers

Everfoton's High-brightness fiber lasers adopt a special optical design and process to suppress transverse mode instability and stimulated Raman scattering. It achieves a 14μm small core diameter single-mode output and has high brightness, high anti-reflection, excellent stability, etc. The laser is suitable for new energy, 3C, electrical industry and can be used for high-reflecting materials (such as: copper, brass) cutting.

- ◆ Multi-stages anti-back reflection protections
- ◆ High beam quality
- ◆ High stability
- ◆ High cutting quality

+86-27-65271788

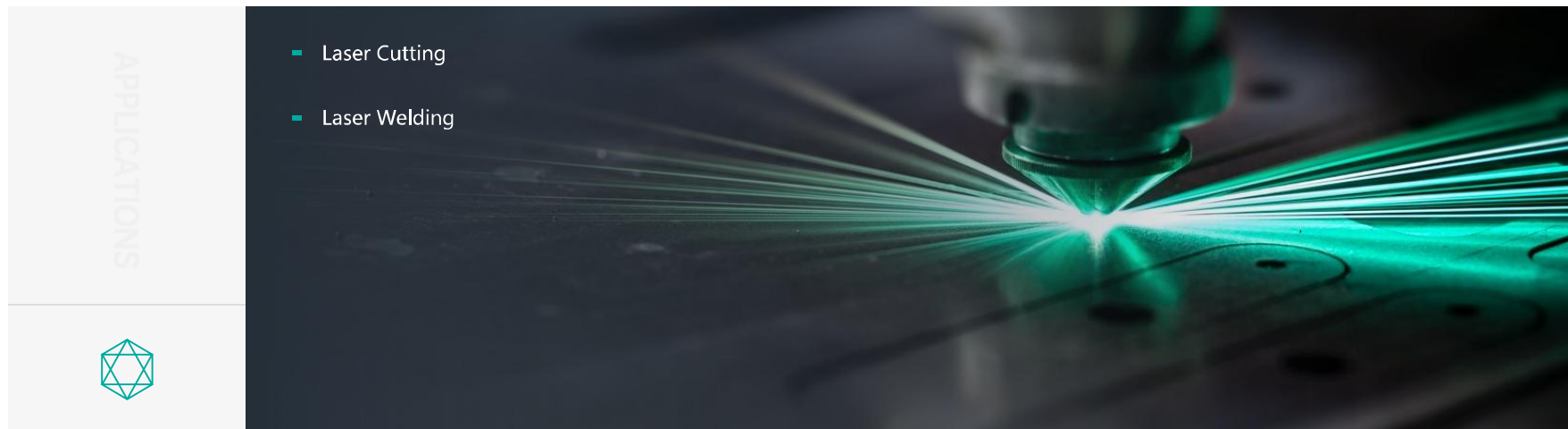
sales@everfoton.com

Download of Specifications More Information

Applications

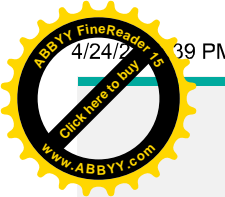
Specifications

## Applications

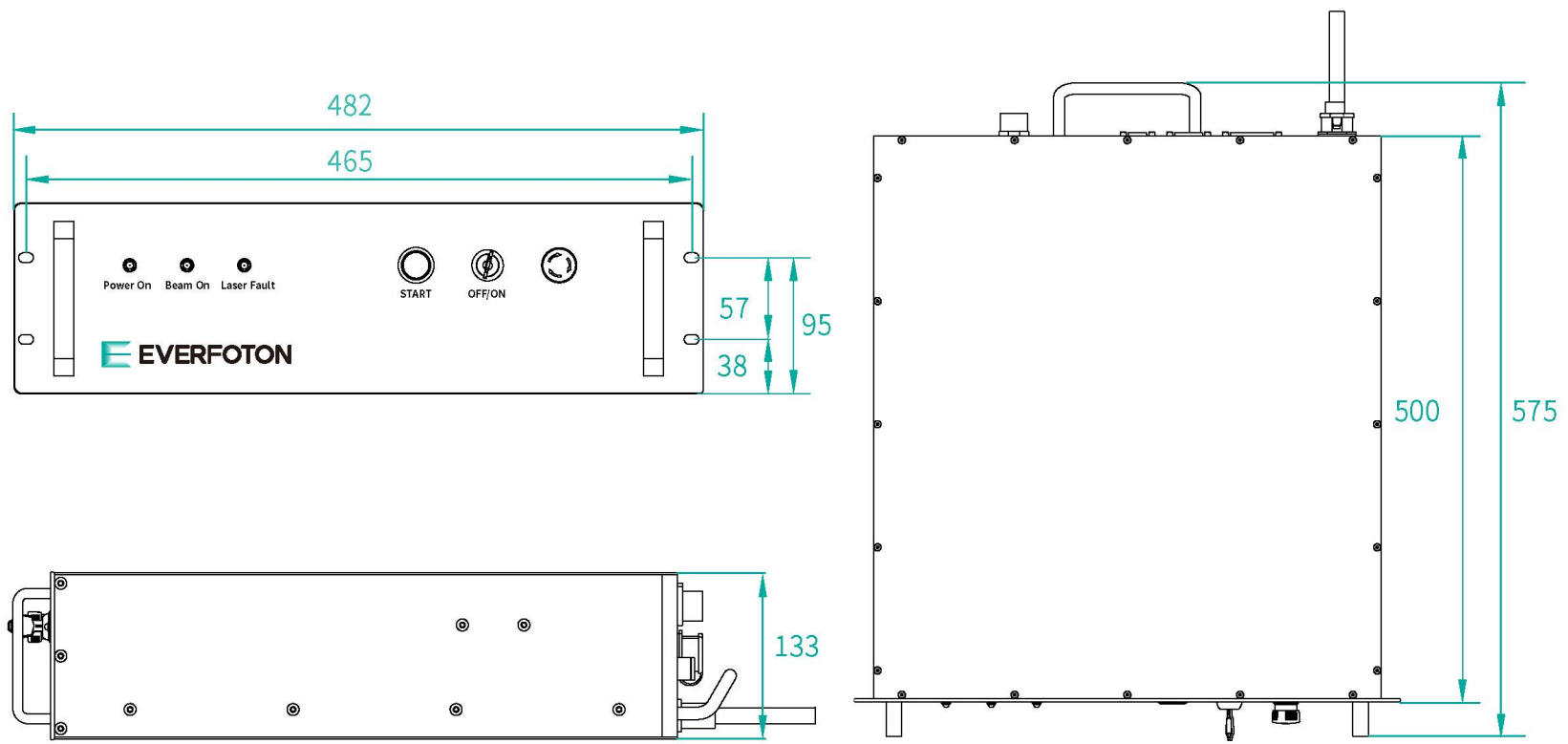


## Specifications

Product Code	FFRC-1500SM-C	FFRC-2000SM-C	FFRC-3000SM-C
<b>Optical Parameters</b>			
Output Power (W)	1500	2000	3000
Operating Mode	CW/Modulated		
Polarization State	Random		
Output Power Tunability (%)	10 - 100		
Beam Quality M <sup>2</sup> (Typical)	1.2		1.3
Output Power Instability 25°C (%)	< 2 (2 hours)		
Emission Wavelength (nm)	1080±5		



Spectrum width FWHM (nm)	< 4		
Modulation Frequency (kHz)	5		
Red Laser Power (μW)	> 200		
<b>Fiber Delivery Cable Parameters</b>			
Output Type	QBH		
Length (m)	5	10	
Core Diameter (μm)	14	20	
Minimum Bending Radius (mm)	200		
<b>Electrical Characteristics</b>			
Operating Voltage (VAC)	200 - 240, 1PH 50/60Hz		340 - 420, 3P5W 50/60Hz
Max Power Consumption (kW)	5	6.5	9
Control Mode	RS232/AD/Ethernet		
<b>Other Characteristics</b>			
Cooling Method	Water Cooled		
Water-cooling Temperature (°C)	25±1		
Dimensions (mm)	W482 x D575 x H133 (Include handles)		



### Recommended products

More



300W - 500W High-...



1500W - 3000W CW...



3000W CW Fiber Laser

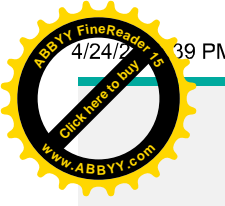


4000W - 6000W CW...



40





# EVERFOTON

[Contact Us](#)

## Products

- Fiber Lasers
- Components and Assemblies
- Fibers and Basic Materials

## Applications

- Laser Welding of Highly Reflective Materials for E-Mobility
- High Power Laser Cutting
- Laser Heat-treatment and Cladding
- Laser Micro-welding/ Precision Welding
- Laser Cleaning
- Metal 3D Printing
- The Portable Long-range Laser Cleaning System

## Support

- Resources
- Application Lab
- Maintenance
- Service System
- After-sales Service

## About Everfoton

- [About Us](#)
- [News](#)
- [Join Us](#)

