



## Products

### OPTICS

- Optical Substrates
- Lenses
- **Prisms**
- Dielectric Coated Optics
- Metallic Coated Optics
- Filters
- Off-Axis Mirrors
- Variable Reflectivity Mirrors
- Non Polarizing Beamsplitter Cubes
- Polarizing Optics
- Adaptive Optical Systems
- Coatings Section

### EYE PROTECTION

- General Information
- Laser Safety
- Protective Laser Glasses Frames
- Protective Laser Glasses Filters
- Protective Laser Windows

## My Account

User Name:

Password:

Remember login

[login >>](#)[Restore password](#) | [Register account](#)

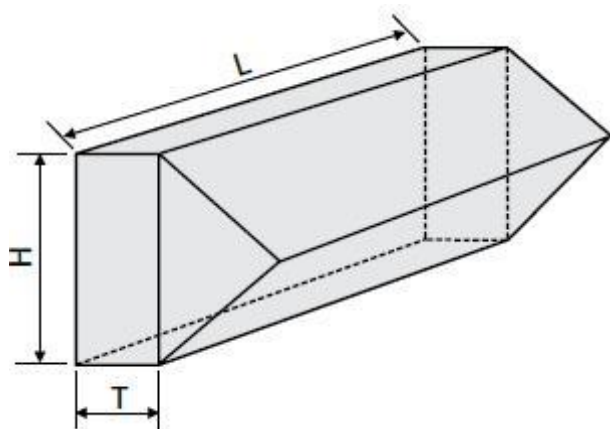
## My WishList



There are no products in the WishList.

[> LOGIN TO VIEW CART AND SUBMIT INQUIRY](#)

## Home > Prisms > 14RPR - Right-Angle Prisms - Retroreflectors



- Working as internal or external reflectors or as retro-reflectors
- Various dielectric coatings can be deposited upon request

Right-angle prisms - retroreflectors are often preferable to an inclined mirror in applications involving severe acoustic or inertial loads, because they are easier to mount, and deform much less than mirror in response to external mechanical stress. As long as acceptance angle limitations for TIR from the roof faces are not exceeded, the right angle prisms are working as a retro reflector, turning beams back to the original direction.

### Standard Specifications

Material	BK7
Dimension Tolerances	+0.0, -0.2 mm
Surface Quality	40-20 scratch & dig
Clear Aperture	80% of the face size
Flatness	$\lambda/4$ @ 632.8 nm
90° Angle Tolerance	$\pm 2$ arcmin (general type)
Coatings	None. Please refer to the Coatings Section

### BK7 Right-Angle Prisms - Retroreflectors

Dimensions L x H x T, mm	Ordering Code
16 x 10 x 5	14RPR-1-1 (available by request)
18 x 8 x 4	14RPR-2-1
22 x 16 x 8	14RPR-3-1 (available by request)
25 x 10 x 4	14RPR-4-1 (available by request)
35 x 10 x 5	14RPR-5-1

### Ordering

Right-Angle Prisms - Retroreflectors

