

12000W CW Fiber Laser

Everfoton's 12000W CW Fiber Laser is designed to deliver the best performance on metal cutting, welding, and drilling based on its unique features such as high back reflection resistance, high wall plug efficiency, and compact design. Flat top beam enables excellent-quality cutting and welding of medium-thick sheet metals.

- ◆ High wall-plug efficiency
- ◆ Flat top beam options
- ◆ Multi-stages anti-back reflection protections
- ◆ Less spatter in welding
- ◆ Compact design with small footprint

+86-27-65271788

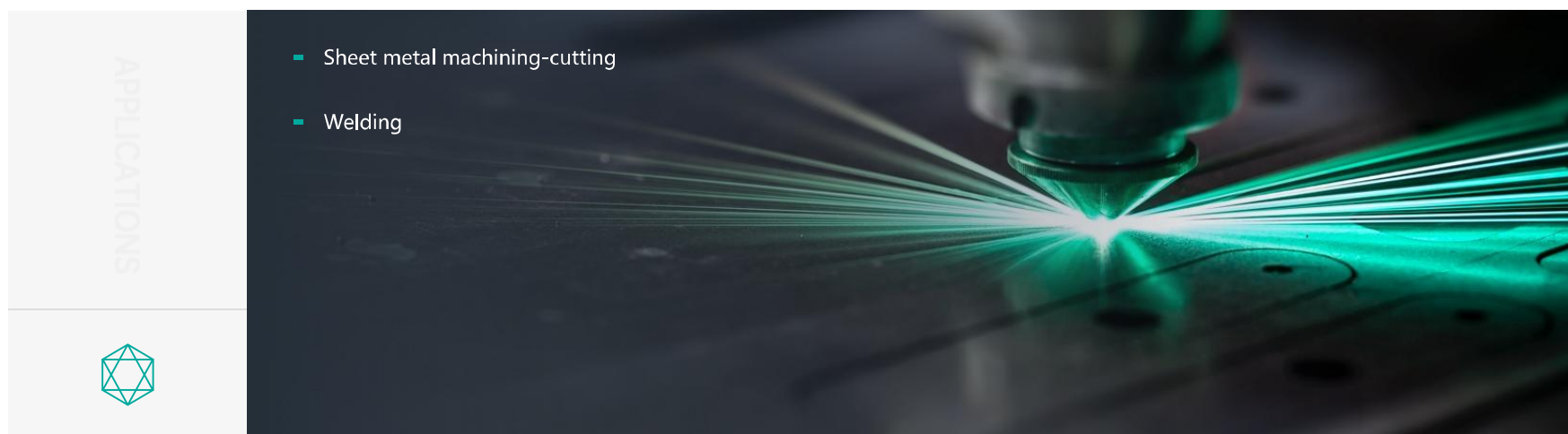
sales@everfoton.com

Download of Specifications More Information

Applications

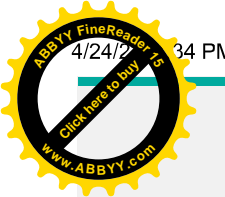
Specifications

Applications

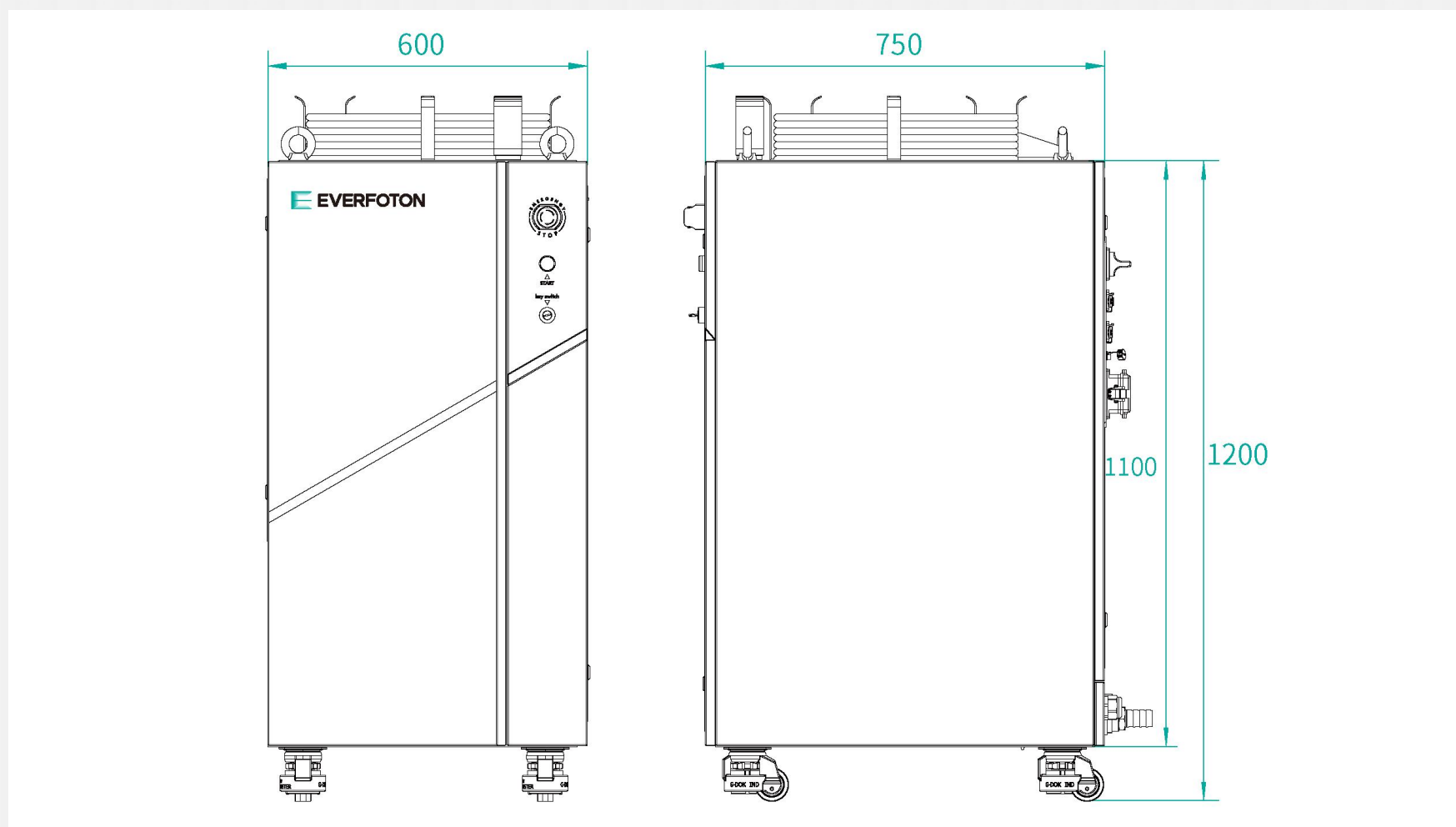


Specifications

Product Code	FFSC-12000
Optical Parameters	
Output Power (W)	12000
Operating Mode	CW/Modulated
Polarization State	Random
Output Power Tunability (%)	10 - 100
Beam Quality BPP(mm x mrad)	< 4.0
Output Power Instability 25°C (%)	< 2 (2 hours)
Emission Wavelength (nm)	1080±5
Spectrum Width FWHM (nm)	< 4



Modulation frequency (kHz)	>
Red Laser Power (μW)	> 200
Fiber Delivery Cable Parameters	
Output Type	QD/Q+/LOE
Length (m)	25
Core Diameter (μm)	100/150/200
Minimum Bending Radius (mm)	200
Electrical Characteristics	
Operating Voltage (VAC)	340 - 420, 3P5W 50/60Hz
Max Power Consumption (kW)	36
Control Mode	RS232/AD/Ethernet
Other Characteristics	
Cooling Method	Water Cooled
Water-cooling Temperature (°C)	25±1
Dimensions (mm)	W600 x D750 x H1100 (Not include lights)



Recommended products

More



300W - 500W High-...

Everfoton's High-stability 300W - 500W CW Fiber Laser



1500W - 3000W CW...

Everfoton's CW Fiber Lasers



1500W - 3000W CW...

Everfoton's CW Fiber Lasers



3000W CW Fiber Laser

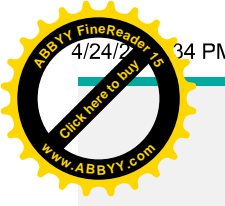
Everfoton's 3000W CW Fiber Laser



4000W CW Fiber Laser

Everfoton's 4000W CW Fiber Laser





EVERFOTON

[Contact Us](#)

Products

- Fiber Lasers
- Components and Assemblies
- Fibers and Basic Materials

Applications

- Laser Welding of Highly Reflective Materials for E-Mobility
- High Power Laser Cutting
- Laser Heat-treatment and Cladding
- Laser Micro-welding/ Precision Welding
- Laser Cleaning
- Metal 3D Printing
- The Portable Long-range Laser Cleaning System

Support

- Resources
- Application Lab
- Maintenance
- Service System
- After-sales Service

About Everfoton

- [About Us](#)
- [News](#)
- [Join Us](#)

