



Item No.: FC940DL10

Item Name: 10W 940nm Fiber Coupled Diode Laser

Optical	Typical Value
Center Wavelength λ	940nm
Wavelength Tolerance	± 10 nm
Output Power	10W

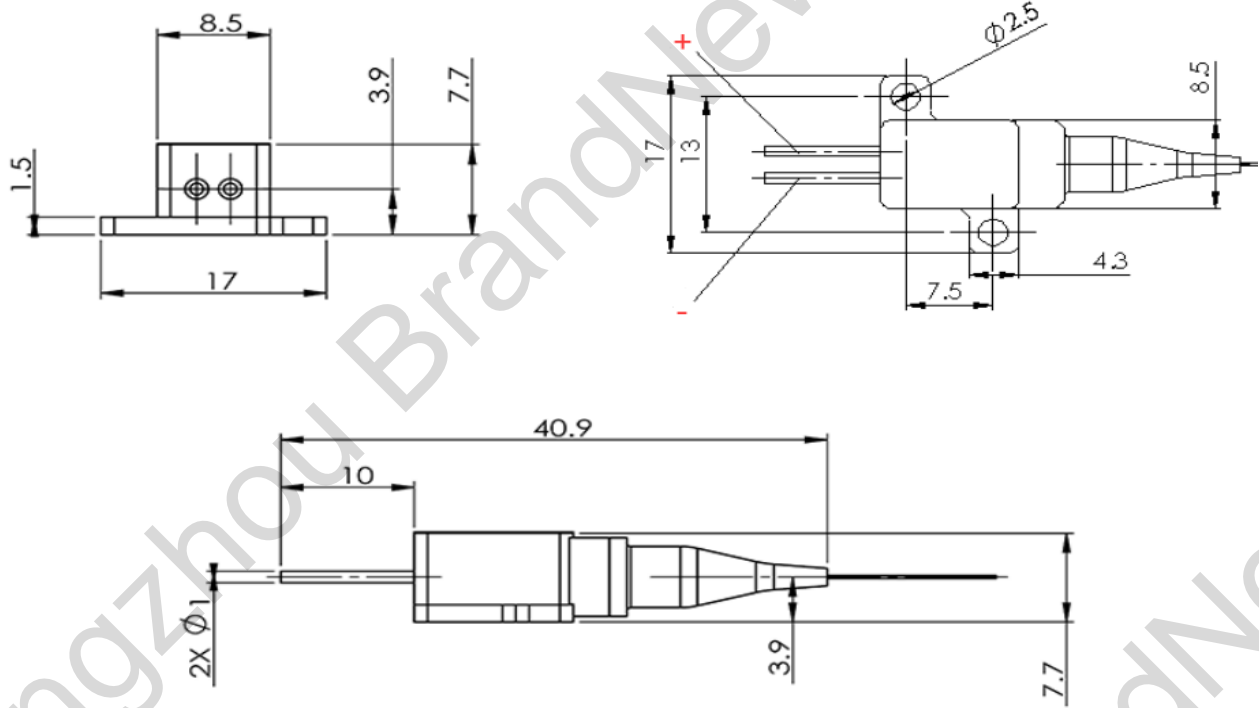
Fiber	
Fiber Core	105 μ m
Fiber Numerical Aperture	0.22NA
Fiber Length	1m
Fiber Connector	SMA905

Electrical	
Threshold Current I_{th}	0.9A
Operating Current I_{op}	13A
Operating Voltage V_{op}	2V

Thermal	
Test Temperature	25 $^{\circ}$ C
Storage Temperature	-30~70 $^{\circ}$ C
Wavelength Temperature Coefficient	0.3nm/ $^{\circ}$ C



Package Drawing



Subject to change without notice



VISIBLE AND INVISIBLE LASER RADIATION.
AVOID EYE OR SKIN EXPOSURE TO
DIRECT OR SCATTERED RADIATION!
CLASS 4 LASER PRODUCT
IEC 825-1