

## Maxphotonics Co. Ltd.

Add: Mingschin Industrial Park, No 3 Industrial Zone, Heyi Cun,  
Shajing Town, Bao'an, Shenzhen, China 518104

Tel: +86-755-86261625 ext 819

Fax: +86-755-29902782

Homepage: [www.maxphotonics.com](http://www.maxphotonics.com)

E-mail: [zoe@maxphotonics.com](mailto:zoe@maxphotonics.com)

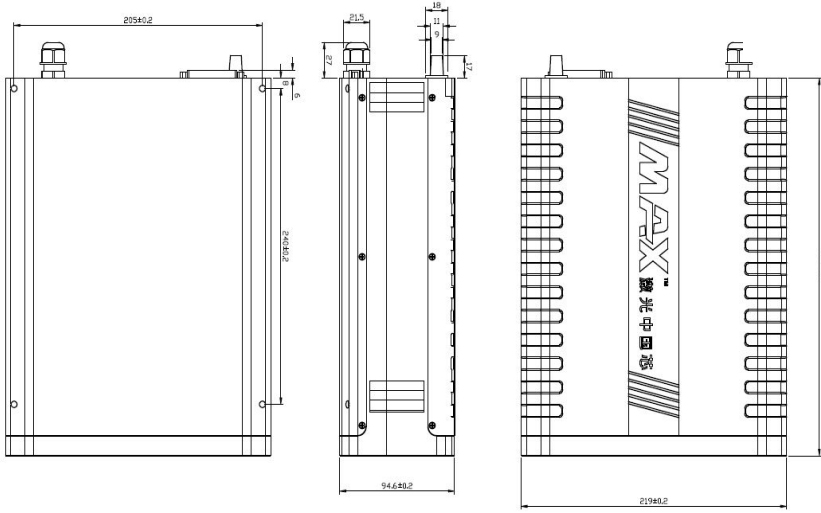
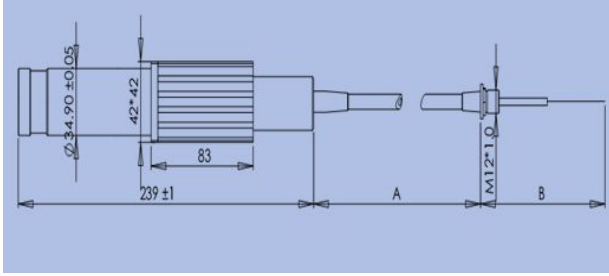


### Q-Switched Pulsed Fiber Laser

Type	Unit	MFP-10	MFP-10L	MFP-20	MFP-30	MFP-50
Central Wavelength	nm	1064±4	1064±4	1064±4	1064±4	1064±4
Polarization		Random	Random	Random	Random	Random
Average Output Power	W	10	10	20	30	50
Peak Power	kW	3.8	4.2	5.6	8.3	7.7
Energy Per Pulse	mJ	0.5~0.6	0.5~0.6	0.8~1.0	0.8~1.0	0.8~1.0
Beam Quality	M <sup>2</sup>	<1.4	<1.4	<1.8	<1.8	<2.0
Beam Diameter	mm	6~8	6~8	6~9	6~9	6~9
Power Stability(t>5h)	%	<5	<5	<5	<5	<5
Frenquency Tunable Range	KHz	22.7~50	20~30	30~60	30~80	50~80
Pulse Width @ 30KHz	ns	80~140	80~140	80~140	80~140	100~140
Power Tuable Range	%	5~100	5~100	5~100	5~100	5~100
Operation Voltage	VDC	24	24	24	24	24
Power Consumption	W (20°C)	120	120	170	190	200
ISO		Standard	Standard	Standard	Standard	Standard
ISO Dimension Weight	mm/kg	W42.4*H42.4*L239 1.25kg	W42.4*H42.4*L239 1.25kg	W42.4*H42.4*L287 1.5kg	W46*H46*L310 1.65kg	W46*H46*L310 1.65kg
Laser Dimension Weight	mm/kg	W219*H95*L286 5.6kg	W219*H95*L286 5.6kg	W219*H95*L286 5.6kg	W285*H120*L347 10kg	W285*H120*L347 10kg
Fiber Length	m	1.9/2.5/3	1.9/2.5/3	1.9/2.5/3	1.9/2.5/3	1.9/2.5/3
Cooling		Forced air	Forced air	Forced air	Forced air	Forced air
Operate Temperature		0~40°C	0~40°C	0~40°C	0~40°C	0~40°C
Operating Humidity		10~95	10~95	10~95	10~95	10~95
Stockpile Temperature		-10~60°C	-10~60°C	-10~60°C	-10~60°C	-10~60°C

Application: Marking on metal, part of the non-metallic plating materials, plastic rubber, industrial-used plastics, ceramics and other marking; Deep carved; Fine processing; Special material processing

## MFP-10/MFP-10L/MFP-20 Dimension & Outlook



## MFP-30/MFP-50 Dimension & Outlook

