

## High Power Polarization Maintaining Isolator (HPMI Series)

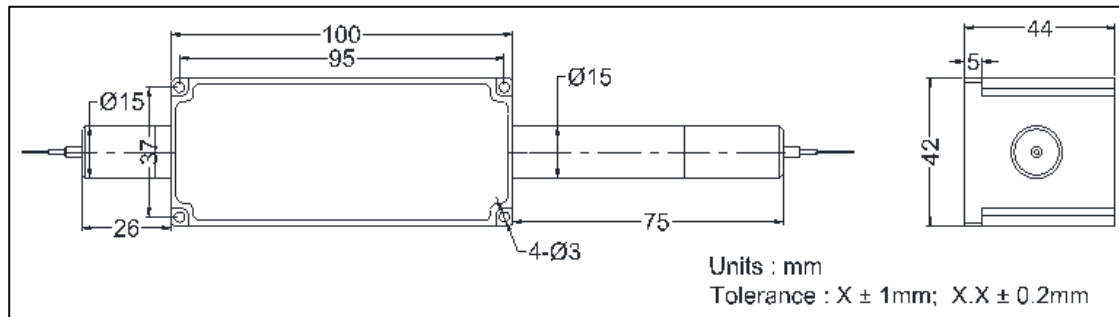
Rev 11

The High Power Polarization Maintaining Circulator is characterized with low insertion loss, high isolation, high power handling, high return loss, high extinction ratio. It is ideal for fiber laser and instrumentation applications.

### Specifications

Parameter	Unit	Value
Center Wavelength ( $\lambda_c$ )	nm	1064
Operating Wavelength Range	nm	$\lambda_c \pm 10$
Min. Isolation, $\lambda_c$ , 23 °C	dB	25
Typ. Insertion Loss, 23 °C	dB	0.5
Max. Insertion Loss, 23 °C	dB	0.8
Min. Extinction Ratio	dB	20
Min. Return Loss	dB	45
Max. Average Optical Power	W	50
Max. Peak Power for ns Pulse	kW	20
Max. Tensile Load	N	5
Fiber Type		Specified by ordering info
Operating Temperature	°C	10 to +50
Storage Temperature	°C	0 to +60

### Package Dimensions



### Ordering Information

#### HPMI-①①-②②-③③-④④-⑤⑤-⑥⑥-⑦⑦-⑧⑧

①①: Wavelength

②②: Handling Power

③③: Connector Type

④④: Fiber Jacket

06-1064 nm

50-50 W

N-None

B-bare fiber

SS-Specify

SS-Specify

L-900  $\mu$ m loose tube

S-Specify

⑤⑤: Fiber Length

⑥⑥: Working Axis

⑦⑦: Fiber Type

⑧⑧: Power Type

1-1.0 m

F-Fast axis blocked

1-Nufern FUD-3460

P-Pulse Application

S-Specify

2-Nufern PLMA-GDF-20/130-M

C-Continuous Wave

S-Specify