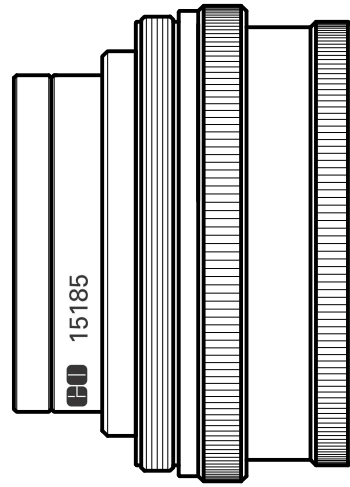


FT-100SHG

F-theta lens for 532nm



Features

- Optimized desing for diffraction limit in all the scanning areas
- Small spot size for microfabrication
- Compact size and high performance
- precise marking / etching / melting

Specifications

Focal length	101.9 mm	Mirror distance (recommend)	1st mirror-2nd mirror	18mm
			2nd mirror-housing	13.5mm
Designed wavelength	532 nm	Mount screw	M85×1	
Scanning area	56.5×56.5 mm ²	scan angle	±22.68 degrees	
Max. input beam diameter	φ12.0 mm	Total transmission	T ≥ 95%	
1/e ² beam spot size	φ8.5 μm	Material	Optical glass	
Working distance	94.5 mm			

Outline

