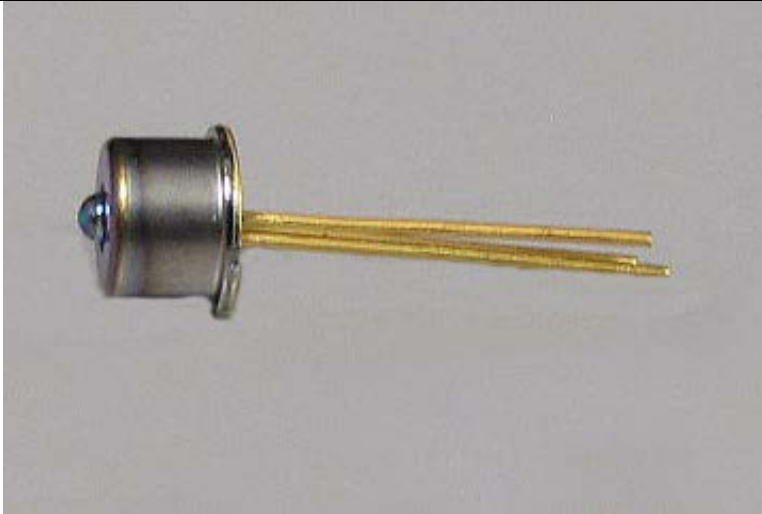


30um InGaAs APD Module



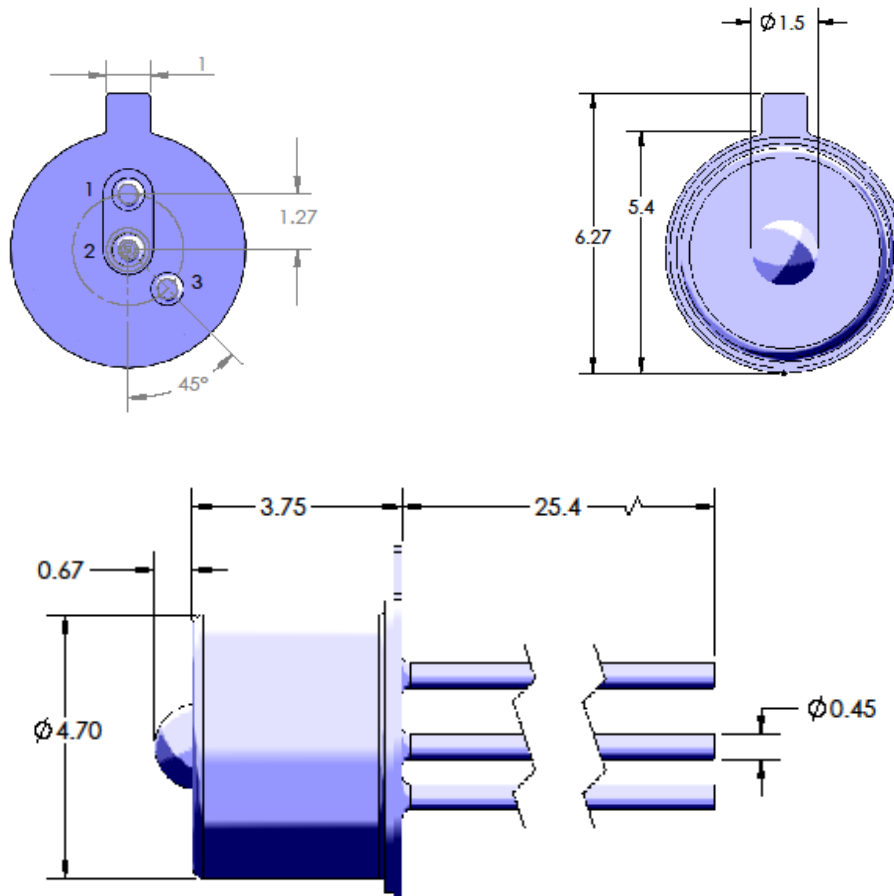
- Low Noise
- High Sensitivity
- 30um Active Area
- High Speed 3.5GHz
- Standard TO46 Package
- RoHS Compliant
- Applications:
Range Finding
Sensors
OTDRs

The LAPD 1550-30R is a 30um InGaAs mesa structure APD housed in a hermetic 3 pin TO46 Package with lens cap. The low noise, high sensitivity and broad Vbr curve make the LAPD 1550-30R APD ideal for use in range finders and high sensitivity line receivers. The device is RoHS compliant.

Characteristics (T_{amb} = 25°C)

Parameter	Symbol	Conditions	Min.	Typ.	Max	Units
Active area diameter	D _A			30		μm
Operational wavelength	λ _O		1260	1550	1650	nm
Responsivity	R ₁₀	λ = 1550nm, M=1	0.9	1		A/W
Dark Current	I _r	V=0.9*V _{BR}		30	50	nA
Breakdown Voltage	V _{br}	I _d = 10 uA	30	37	40	V
Operating Voltage	V _{op}			V _{br-3}	V _{br-2}	V
dV _{br} /dT	Γ		0.06	0.07	0.08	V / °C
Capacitance	C _T	f = 1 MHz, M = 9		0.3		pF
Bandwidth	BW	M=10	2.7	3.2		GHz
Absolute Max Reverse Current	I _{ra}				3	mA
Max Forward Current	I _{fa}				2	mA
Coupling Distance	L _D	From cap face		1.6		mm
Operating temp. range	T _{op}		-40		85	°C
Storage temp. range	T _{stg}	Non operating	-40		100	°C

Outline Drawing



PINOUT TABLE	
PIN No.	Description
1	Anode
2	Cathode
3	Ground

Ordering Information

Products can be ordered directly from Laser Diode Inc. or its representatives.
For a complete listing of representatives, visit our website at www.laserdiode.com.

When ordering, please refer to model number **LAPD 1550-30R**

Personal Hazard and Handling Precautions:
ESD precautions apply.

Warranty:
Please refer to your product purchase agreement for complete details or check with your Laser Diode sales representative.

Notice:
Laser Diode Inc. reserves the right to make changes to the products or information contained herein without notice. No liability is assumed as a result of their use or application.