



428 Waverly Ave • PO Box 586 • Mamaroneck, NY 10543-0586

Phone: 914-698-8111

Fax: 914-698-3629

Email: npc@westnet.com

[Home](#)

[Pellicle Frames](#)

[Technical Information](#)

[Application Notes](#)

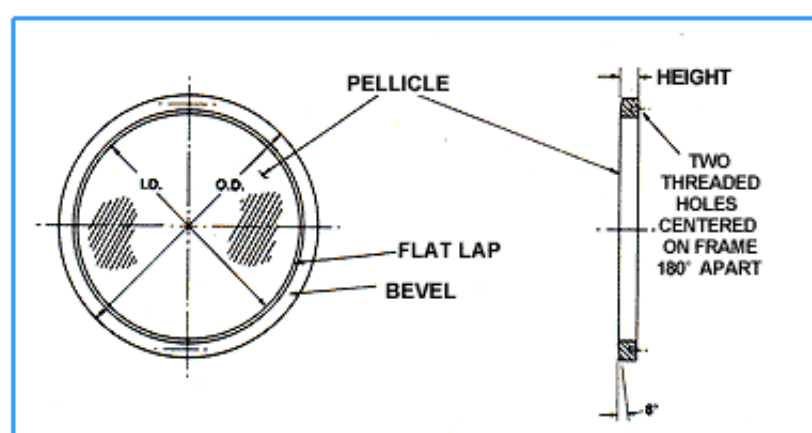
[Contact Us](#)



Standard Frames

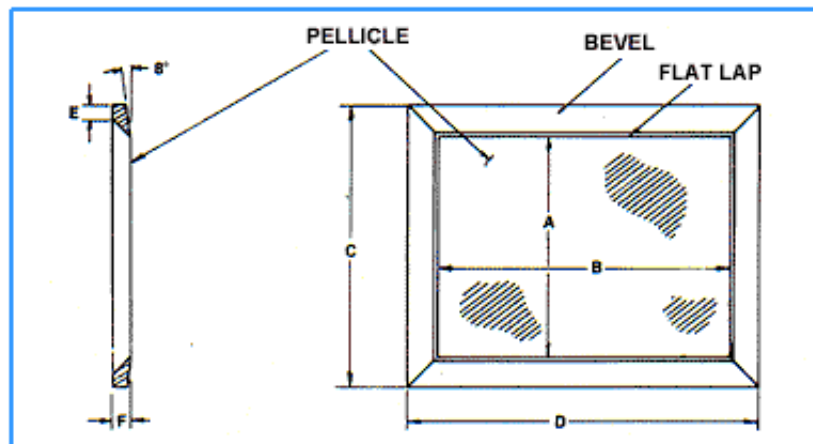
NPC Standard Pellicle Frames are stocked in 1", 2", 3", 4", 5" and 6" circular rings, plus 5"x7" rectangles. Top surfaces are beveled. The frame is black anodized, then lapped to create a flat at the inner edge. The membrane is then stretched over the flat and firmly adhered to the beveled area. The machined aluminum rings have two threaded mounting holes on the back.

Standard NPC Pellicle Rings



SIZE	ID	OD	HEIGHT	MOUNTING HOLES
1"	1"(25.4mm)	1 3/8"(34.9mm)	3/16"(4.8mm)	#2-56thd.x1/8"dp.
2"	2"(50.8mm)	2 3/8"(60.3mm)	3/16"(4.8mm)	#2-56thd.x1/8"dp.
3"	3"(76.2mm)	3 1/2"(88.9mm)	1/4"(6.4mm)	#6-32thd.x1/8"dp.
4"	4"(101.6mm)	4 1/2"(114.3mm)	1/4"(6.4mm)	#6-32thd.x1/8"dp.
5"	5"(127.0mm)	5 1/2"(139.7mm)	5/16"(7.9mm)	#6-32thd.x1/8"dp.
6"	6"(152.4mm)	6 1/2"(165.1mm)	3/8"(9.5mm)	#6-32thd.x3/16"dp.

Standard NPC 5"x7" Rectangular Pellicle Frame



NOMINAL DIMENSIONS

	Inches	Millimeters
A	5	127.0
B	7	177.8
C	6 5/8	168.3
D	8 3/8	212.7
E	5/16	7.9
F	7/16	11.1

QUESTIONS - QUOTES - INQUIRIES
PLEASE USE THE FORM BELOW.
This form helps us minimize spam errors
and provides a layer of protection:

* indicates required field

Name:*

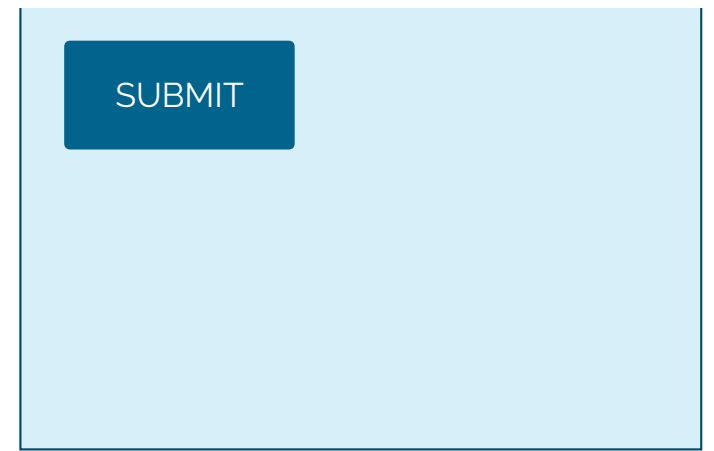
Email:*

Subject:*

Message:*



CAPTCHA Code:*



Copyright © 2020 :: National Photocolor :: Web design by dmpdesigns.com

Home :: Pellicle Frames :: Standard Frames :: Custom Frames :: Technical Information :: Pellicle Coatings :: Pellicle Specifications :: Application
Notes :: Contact Us