

650nm Red Laser



Specifications

Model Number	HP-R650-80-DB
Optical Specifications	
Wavelength	650 nm
Center Wavelength Deviation	+/- 15 nm
Output Power	80 mW
M ²	< 1.2
Longitudinal Mode	Multi
Transverse Mode	Near TEM00
Power Stability (over 4 hours) (rms)	< 3 % ⁽¹⁾
Operating Mode	CW ⁽²⁾
Polarization Ratio	> 50:1 ⁽³⁾
Beam Diameter at the Aperture (1/e ²)	~ 1.2 mm
Beam Divergence (Full Angle)	< 1.1 mrad
Warm-up time	< 8 minutes
Beam Height from Base Plate	19 mm
Working Temperature	15 to 35 ° C
Cooling Mode	TEC / FANS
Estimated Lifetime (MTTF)	10,000 hours
Warranty Time	1 year
Mechanical Specifications	
Dimension of Laser Head	75 (L) x 40 (W) x 40 (H) mm
Dimensional Tolerances	+/- 1 mm

(1) optional: < 1%, < 2%

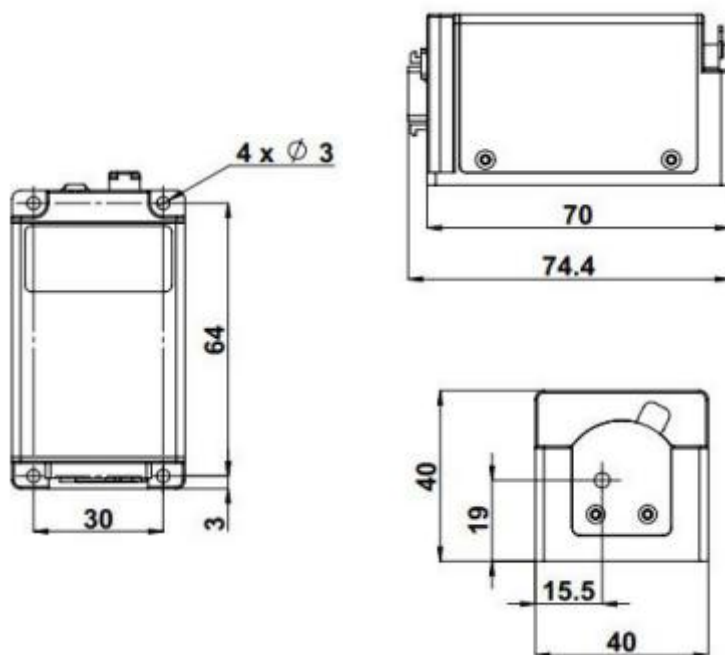
(2) optional: TTL or Analog (1Hz-50kHz)

(3) optional: > 100:1

650nm Red High Power Laser



Drawing



Dimensions in mm