

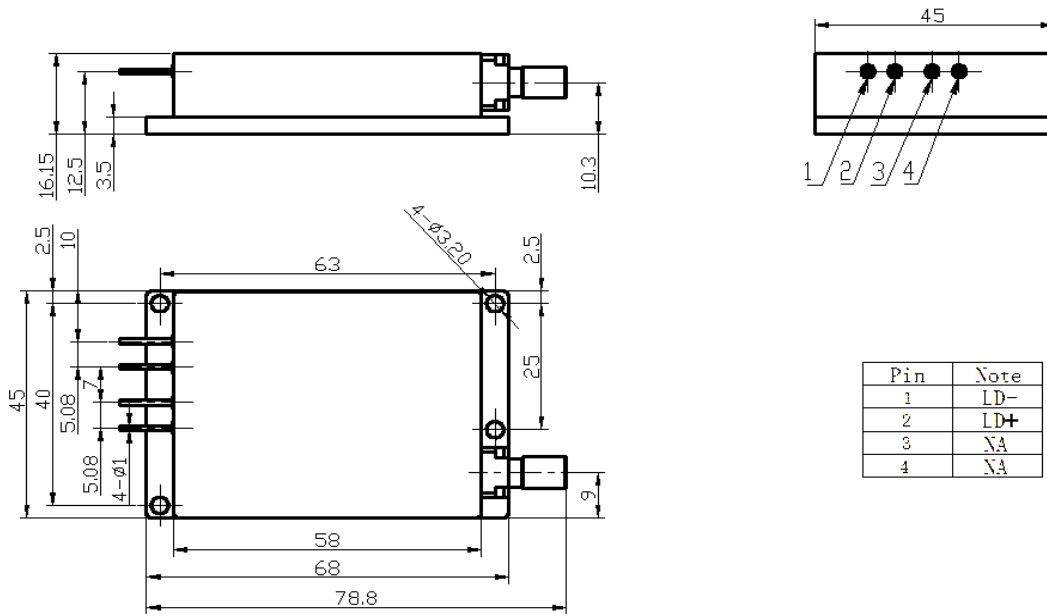
Item Number: 8808-0021**Item Description: 808nm, 40W, 200µm detachable fiber-coupled module**

	Unit	Min	Typical	Max
Optical				
Nominal CW Output Power	W	40.0	-	-
Wavelength	nm	803	808	813
Spectral Width (FWHM)	nm	-	4.0	-
Wavelength Temperature Coefficient	nm/° C	-	0.3	-
Slope Efficiency	W/A	-	5.6	-
Power Conversion Efficiency	%	-	52	-
Electrical				
Operating Current	A	-	9.0	10.0
Threshold Current	A	-	1.2	1.5
Maximum Operating Voltage	V	-	9	10
Maximum Reverse Voltage	V		12.5	
Fiber data				
Fiber Buffer Diameter	µm		320	
Fiber Cladding Diameter	µm		220	
Fiber Core Diameter	µm		200	
Fiber NA	-		0.22	
Fiber Length	m		2	
Fiber Termination	-		SMA	
Fiber Bend Radius	mm	66	-	-
Mechanical and integration				
Housing Dimension			See Drawing	
Lead Soldering Temp			260° C for < 5 seconds	
Environmental				
ESD	V	-	-	500
Operating Housing Temperature Range	° C	20	25	30
Operating Humidity	%	15		75
Storage Temperature Range	° C	-40		70

Notes

1. Specified performance to be tested at 25C module base temperature
2. Non-condensing operating environment required

Outline Dimensions and Pin-out



Pin	Note
1	LD-
2	LD+
3	NA
4	NA

